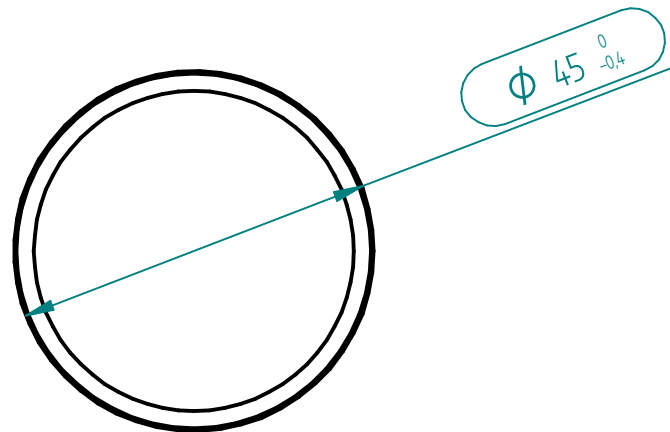
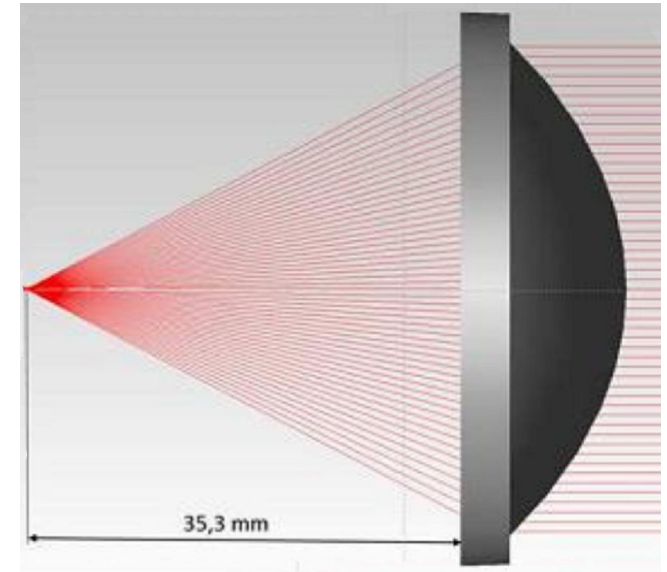
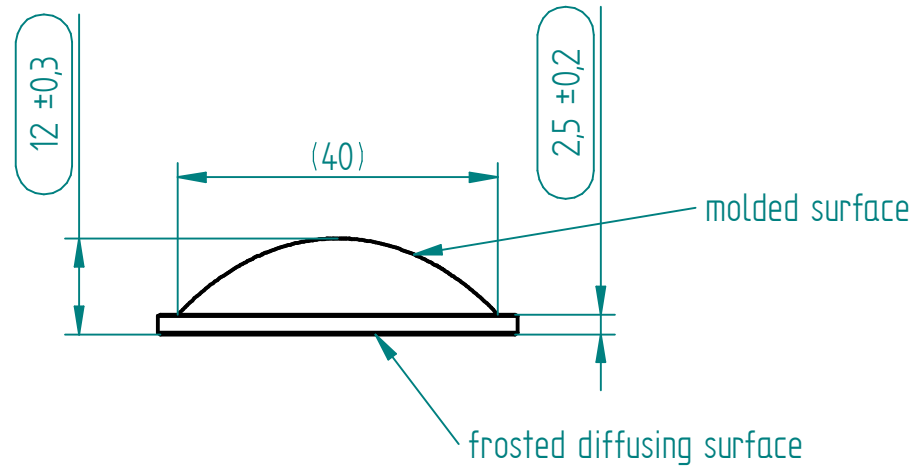



REVISION HISTORY

REV	DESCRIPTION	DATE	APPROVED



material : GLASS  $n_d=1,520$   
 mass: about 30g

	NAME	DATE	EcoGlass, a.s.	
DRAWN	jkocarek	03/13/23		
CHECKED				
ENG APPR				
MGR APPR				
UNLESS OTHERWISE SPECIFIED DIMENSIONS ARE IN MILLIMETERS ANGLES $\pm X.X^\circ$ 2 PL $\pm X.XX$ 3 PL $\pm X.XXX$			TITLE Aspheric lens D45BF35 frosted	
SIZE A4	DWG NO A904 4512	REV AP01	FILE NAME: A904_4512.dft	
SCALE:	WEIGHT:	SHEET 1 OF 1		