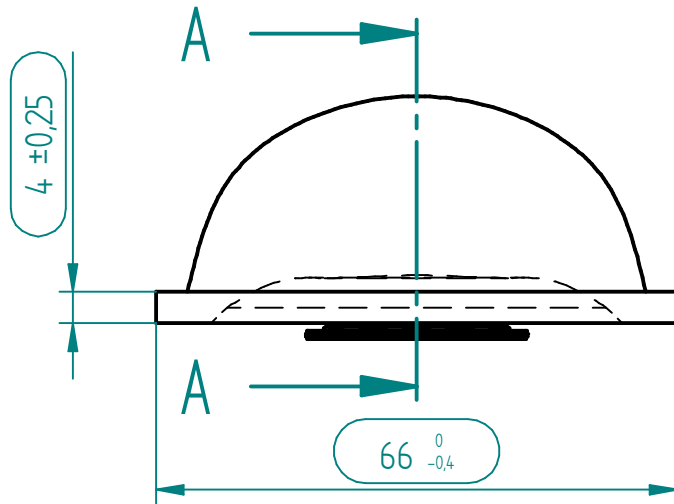


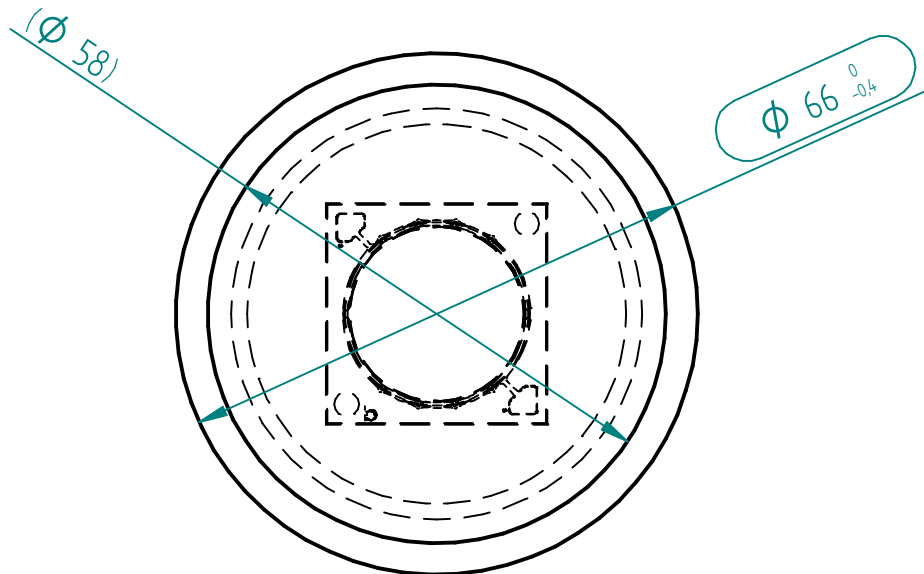
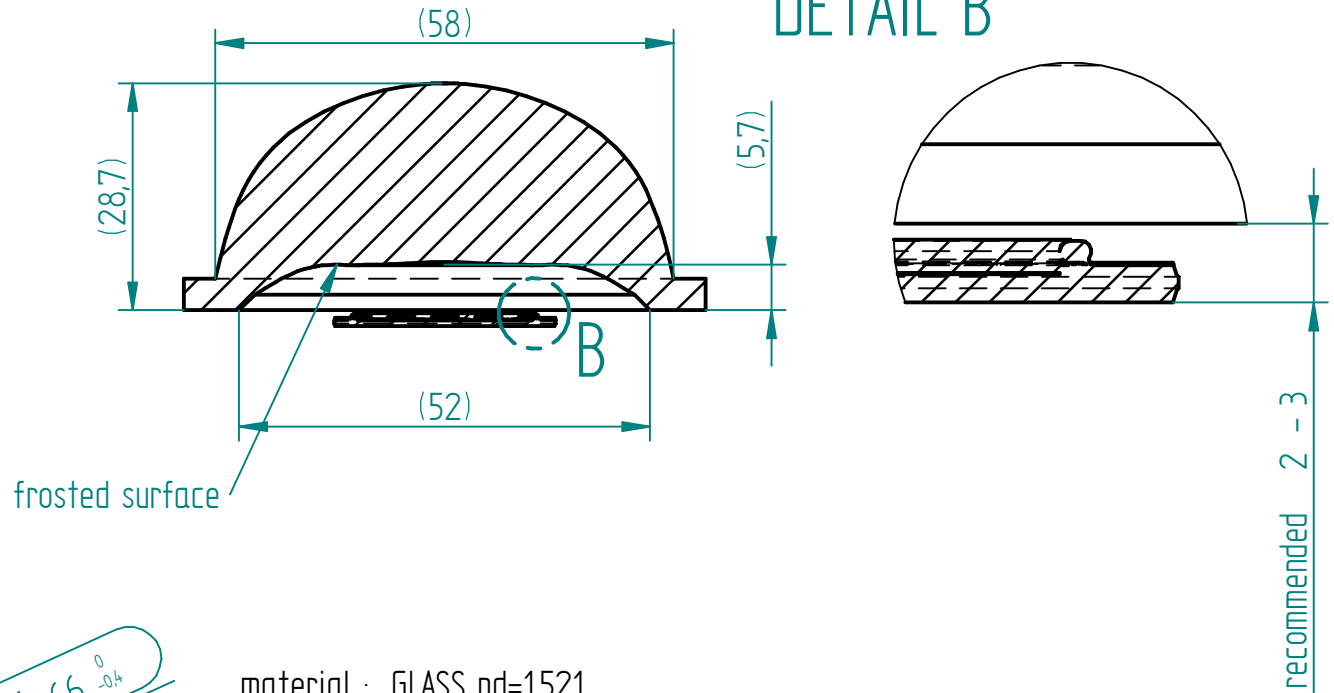
REVISION HISTORY

REV	DESCRIPTION	DATE	APPROVED


CUT A-A



DETAIL B



material : GLASS nd=1,521
 mass : 125g
 LED chip diameter : 16-30mm

	NAME	DATE	 EcoGlass, a.s.		
DRAWN	jkocarek	08/16/22			
CHECKED					
ENG APPR					
MGR APPR			TITLE		
UNLESS OTHERWISE SPECIFIED DIMENSIONS ARE IN MILLIMETERS ANGLES ±X.X° 2 PL ±X.XX 3 PL ±X.XXX			general lens for large LED 60°		
			SIZE A4	DWG NO A886 6629	REV
			FILE NAME: A886 6629.dft		
SCALE:		WEIGHT:	SHEET 1 OF 1		