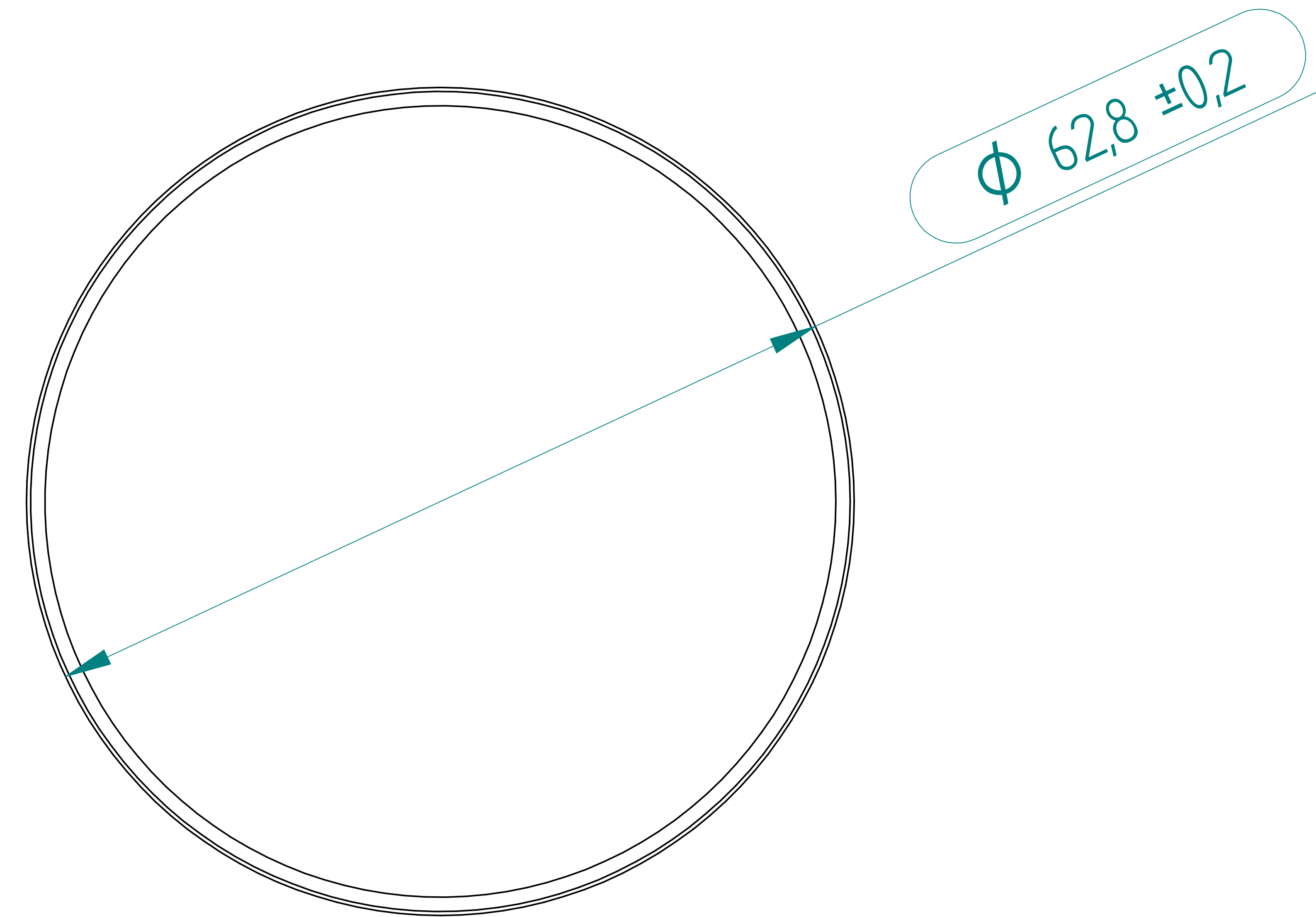
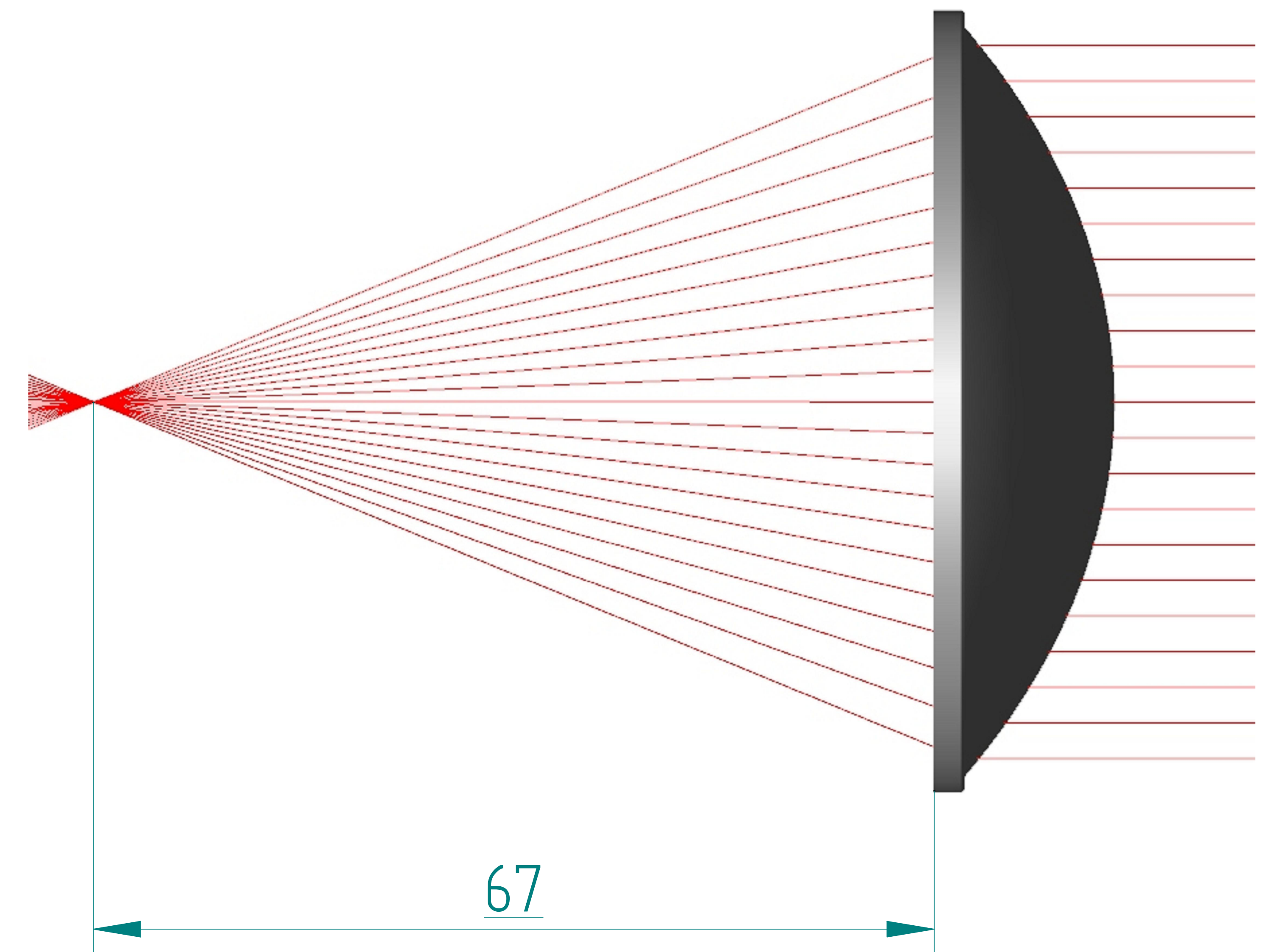
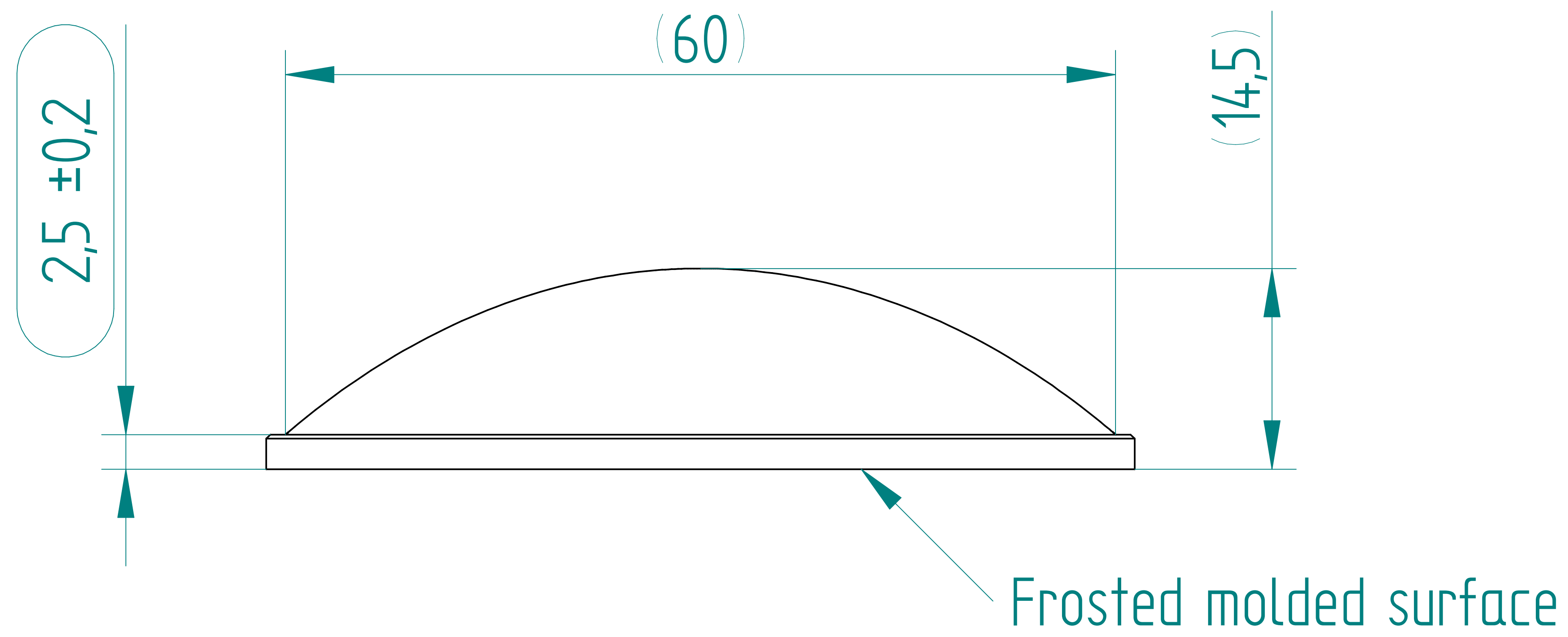



REVISION HISTORY

REV	DESCRIPTION	DATE	APPROVED



material : GLASS nd = 1,520

	NAME	DATE	 <b>EcoGlass, a.s.</b>		
DRAWN	jkocarek	09/14/23			
CHECKED					
ENG APPR					
MGR APPR					
UNLESS OTHERWISE SPECIFIED DIMENSIONS ARE IN MILLIMETERS ANGLES ±X.X° 2 PL ±X.XX 3 PL ±X.XXX			TITLE		
			Aspheric lens structured flat side		
			SIZE A4	DWG NO A850 6315	REV
			FILE NAME: A850 6315.dft		
SCALE:		WEIGHT:	SHEET 1 OF 1		