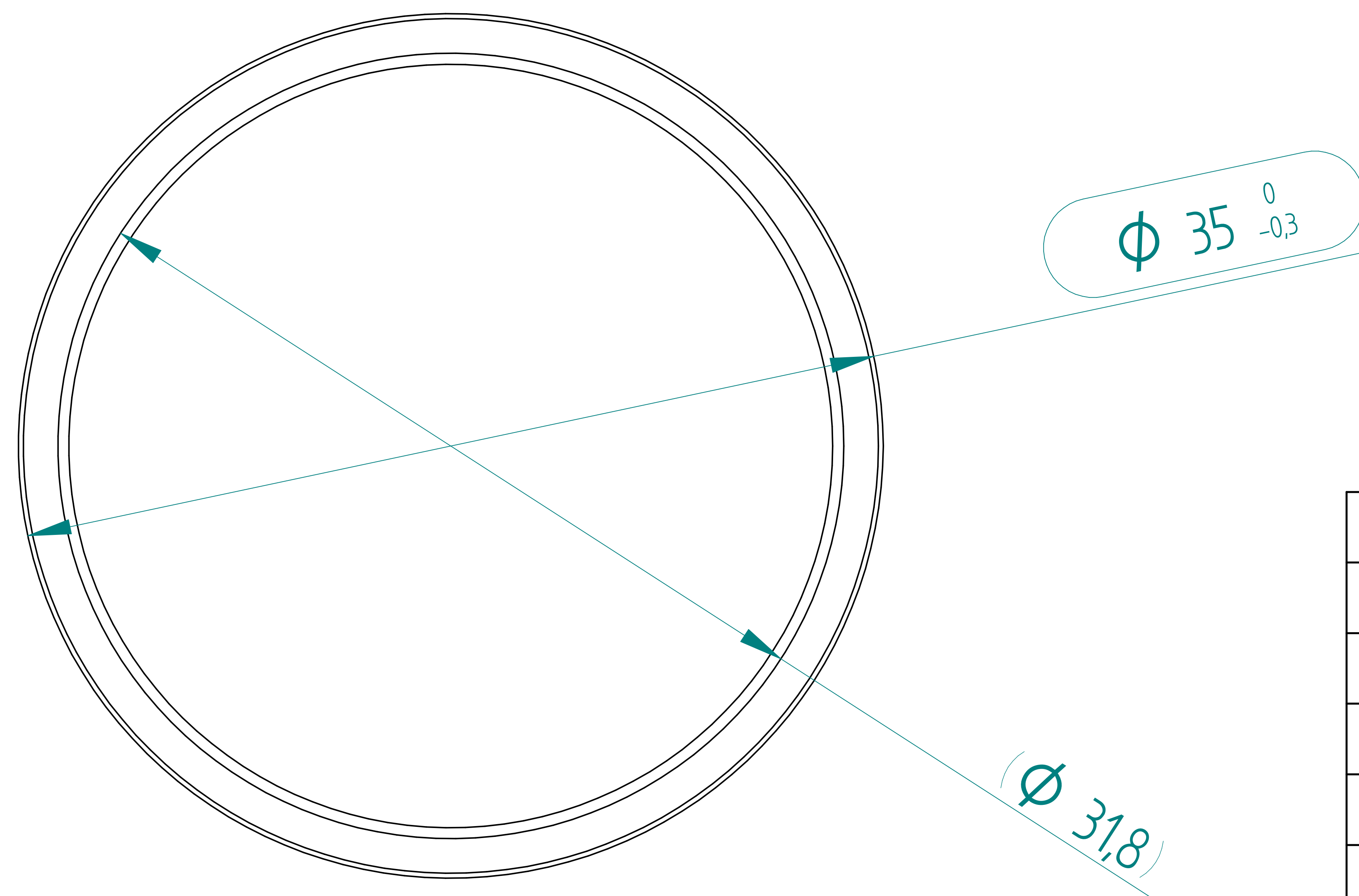
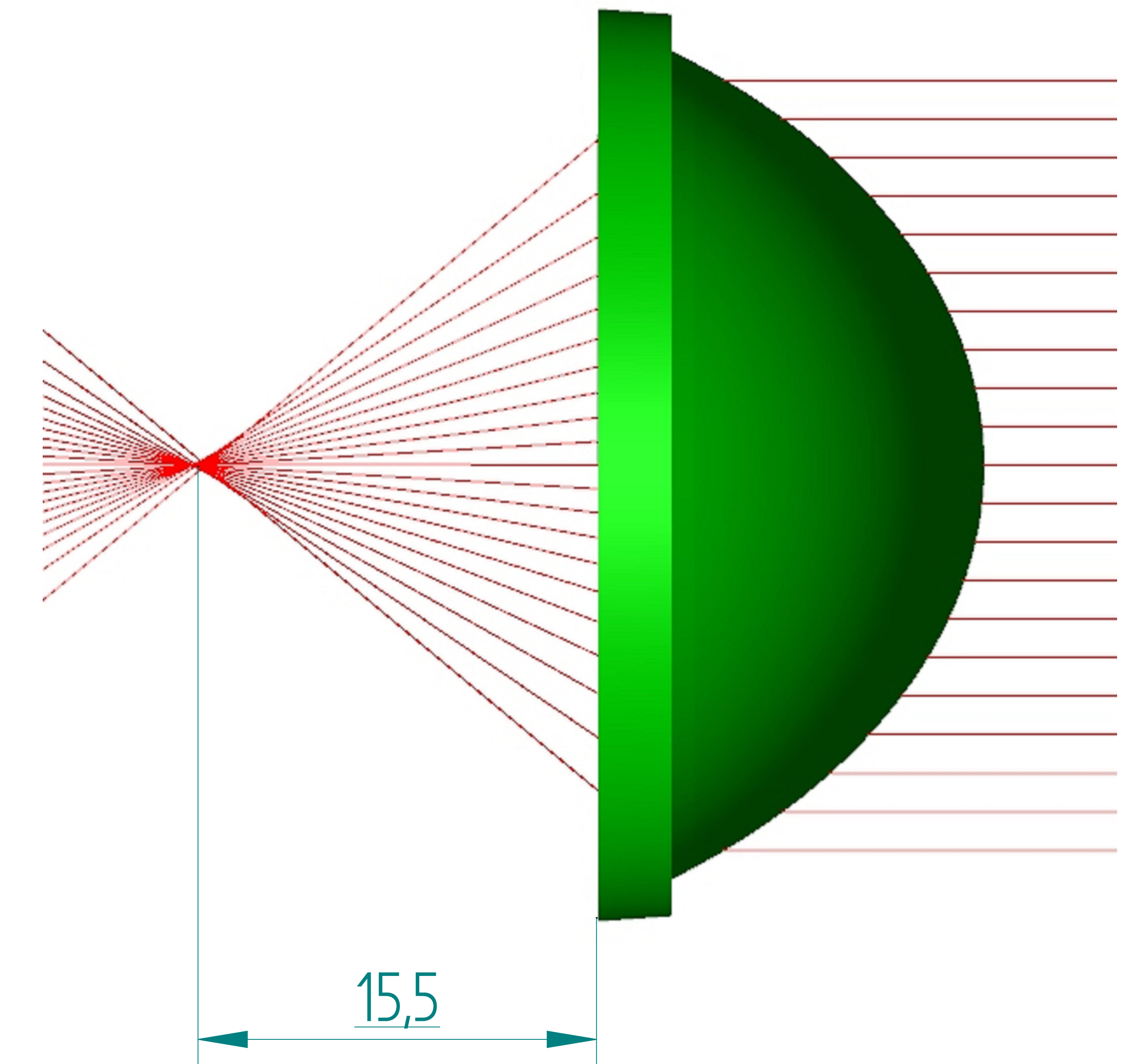
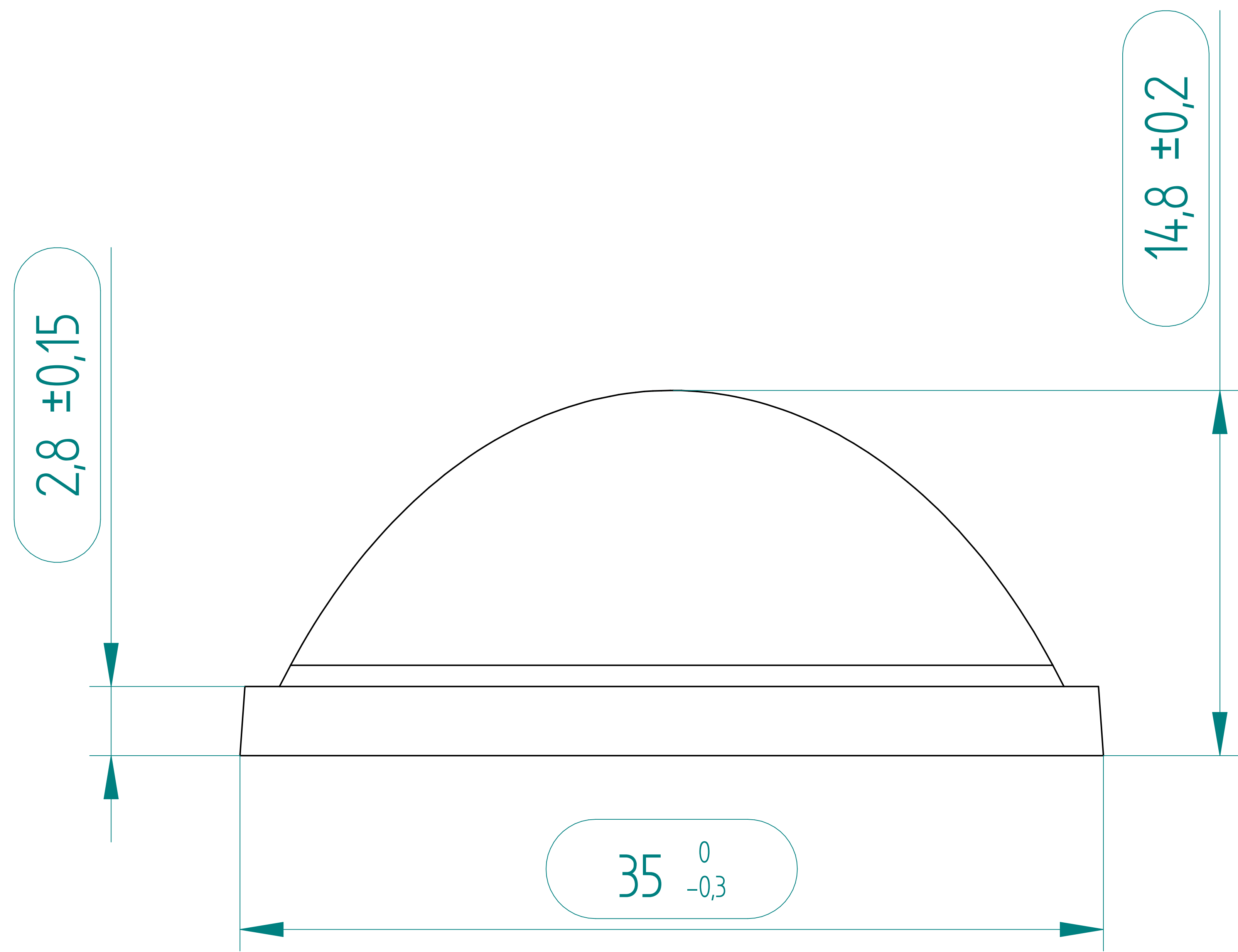



REVISION HISTORY

REV	DESCRIPTION	DATE	APPROVED



material: GLASS $n_d = 1,520$

	NAME	DATE	 EcoGlass, a.s.		
DRAWN	jkocarek	09/14/23			
CHECKED					
ENG APPR					
MGR APPR					
			TITLE		
			Aspheric lens		
UNLESS OTHERWISE SPECIFIED DIMENSIONS ARE IN MILLIMETERS ANGLES $\pm X.X^\circ$ 2 PL $\pm X.XX$ 3 PL $\pm X.XXX$			SIZE	DWG NO	REV
			A4	A837 3515	
			FILE NAME: A837 3515.dft		
SCALE:		WEIGHT:	SHEET 1 OF 1		