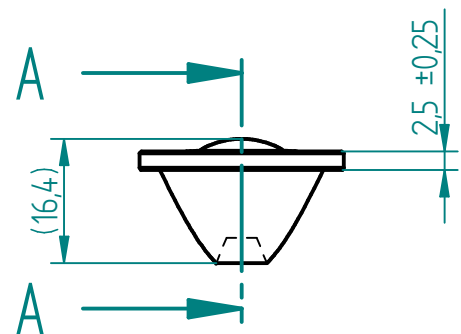
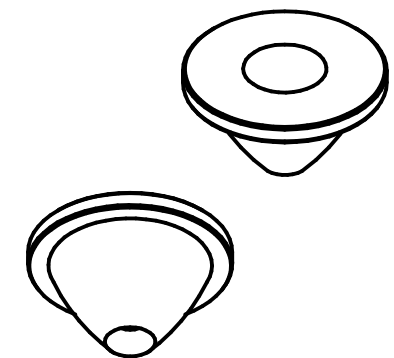
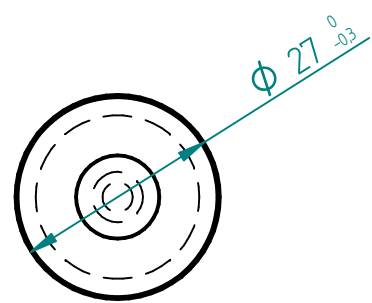
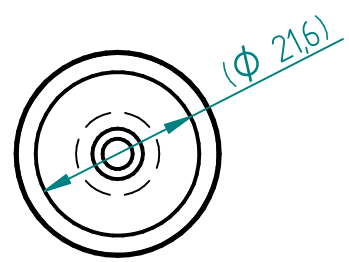
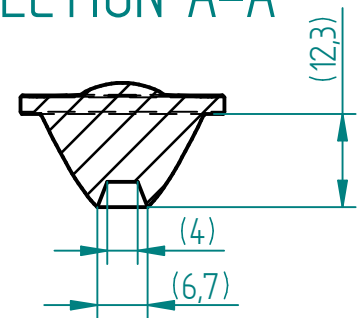


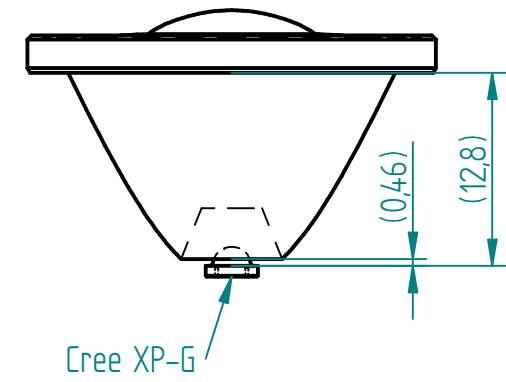
REVISION HISTORY			
REV	DESCRIPTION	DATE	APPROVED




SECTION A-A



Recommended LED position



Glass: LIBA or alternative (nd = 1,521)

	NAME	DATE	 EcoGlass, a.s.
DRAWN	krutsky	05/29/20	
CHECKED			
ENG APPR			
MGR APPR			TITLE
			A643 C20
UNLESS OTHERWISE SPECIFIED DIMENSIONS ARE IN MILLIMETERS			SIZE: A4 DWG NO: FILE NAME: A643_smallLdft SCALE:
			REV: WEIGHT: 10 g SHEET 1 OF 1