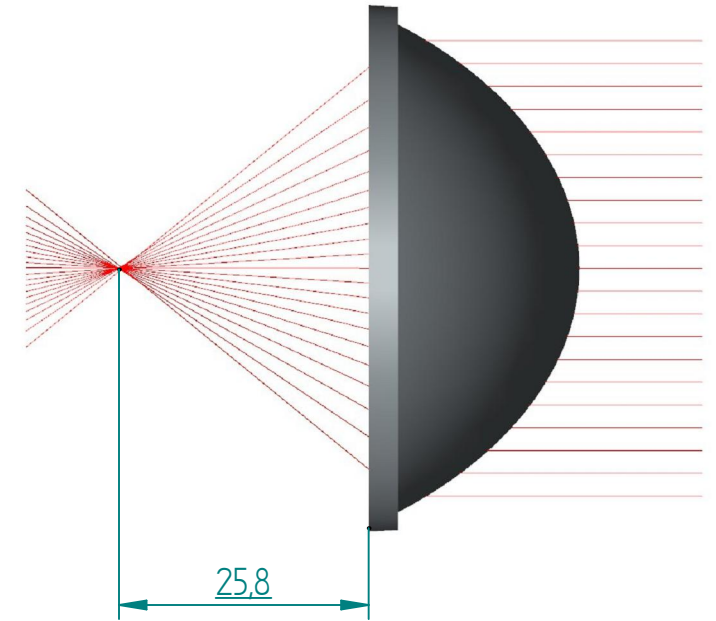
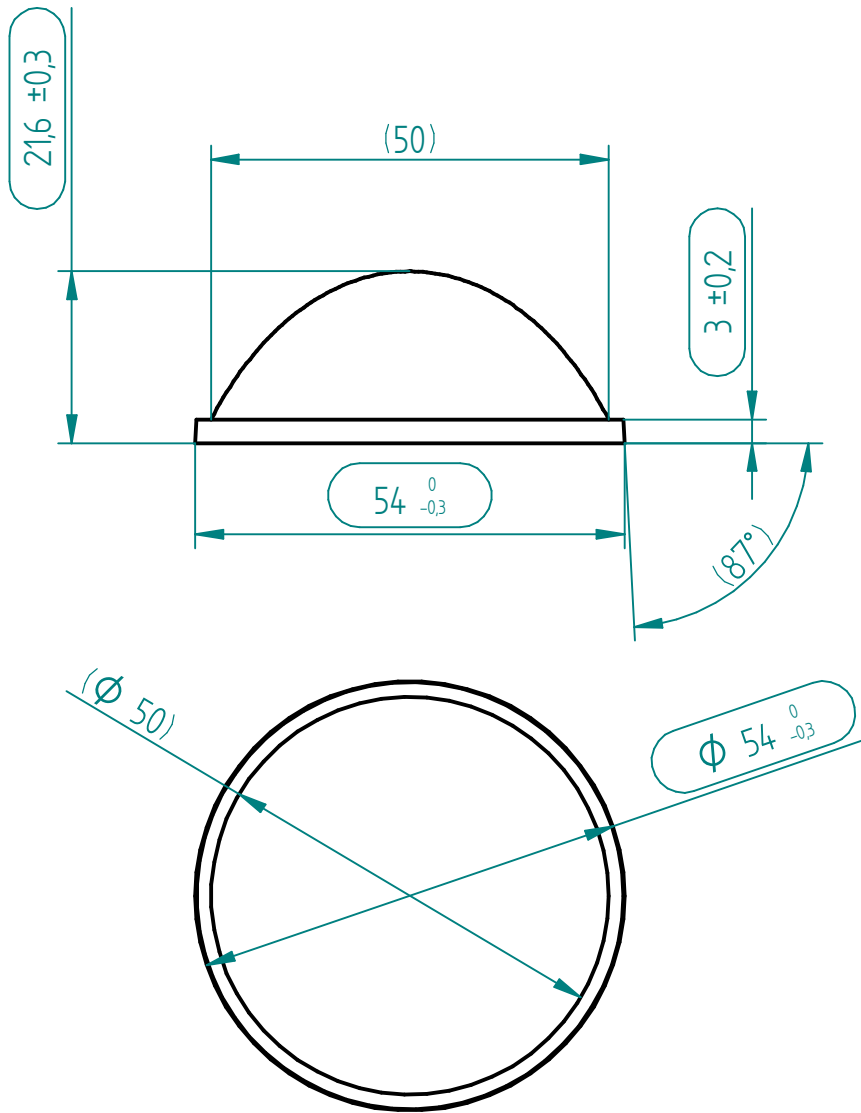



REVISION HISTORY

REV	DESCRIPTION	DATE	APPROVED



material : GLASS nd = 1.520

	NAME	DATE	EcoGlass, a.s.		
DRAWN	jkocarek	10/20/23			
CHECKED					
ENG APPR					
MGR APPR					
UNLESS OTHERWISE SPECIFIED DIMENSIONS ARE IN MILLIMETERS ANGLES ±X.X° 2 PL ±X.XX 3 PL ±X.XXX			TITLE		
			aspheric lens		
			SIZE A4	DWG NO A636 5422	REV
			FILE NAME: A636 5422.dft		
			SCALE:	WEIGHT:	SHEET 1 OF 1