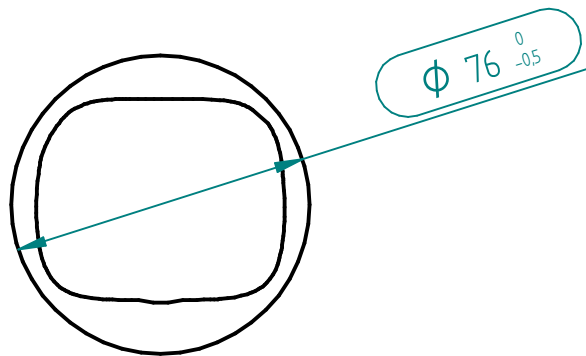
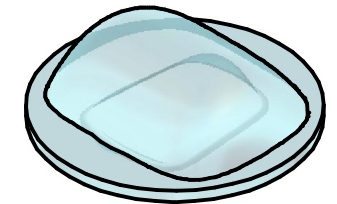
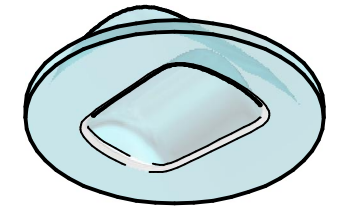
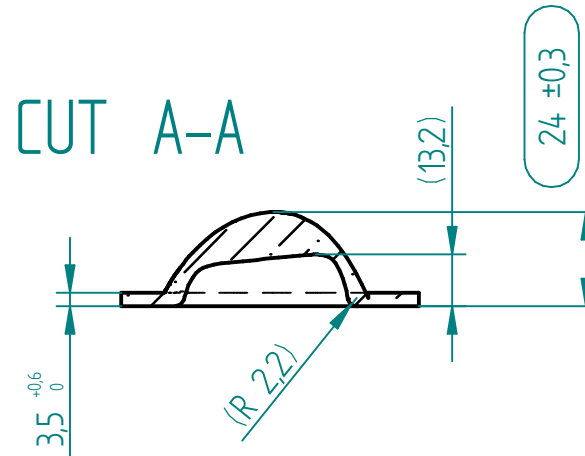
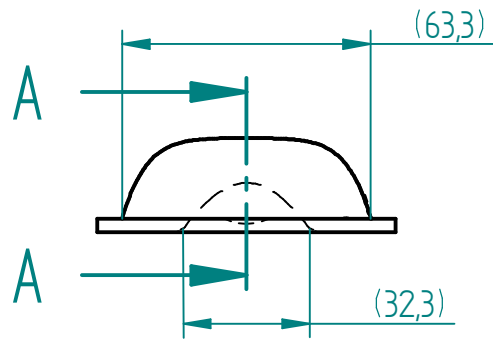



REVISION HISTORY

| REV | DESCRIPTION | DATE | APPROVED |
|-----|-------------|------|----------|
| | | | |



| | | | | | |
|---|----------|----------|---|--------------------|-----------|
| | NAME | DATE |  EcoGlass, a.s. | | |
| DRAWN | jkocarek | 05/09/12 | | | |
| CHECKED | | | | | |
| ENG APPR | | | | | |
| MGR APPR | | | TITLE Street Light Lens 45x110° | | |
| UNLESS OTHERWISE SPECIFIED DIMENSIONS ARE IN MILLIMETERS ANGLES ±X.X° 2 PL ±X.XX 3 PL ±X.XXX | | | SIZE A4 | DWG NO A5697624 | REV 01 |
| | | | FILE NAME: A5697624.dft | | |
| SCALE: | | WEIGHT: | SHEET 1 OF 1 | | |