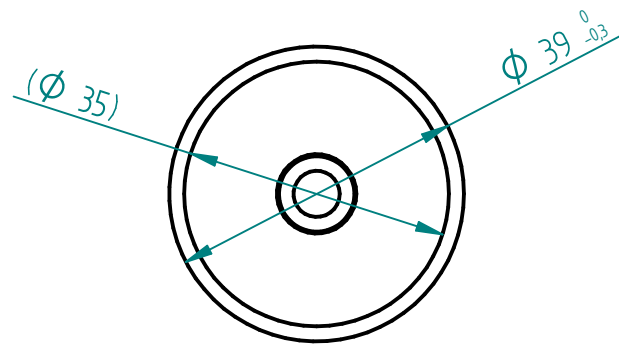
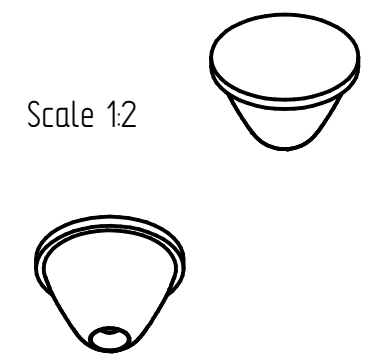



| REVISION HISTORY |             |      |          |
|------------------|-------------|------|----------|
| REV              | DESCRIPTION | DATE | APPROVED |
|                  |             |      |          |



Glass: LIBA or alternative (nd = 1,521)

|   |         |          |   |           |              |
|---|---------|----------|---|-----------|--------------|
|   | NAME    | DATE     |  |           |              |
| DRAWN   | krutsky | 09/15/17 |   |           |              |
| CHECKED   |         |          |   |           |              |
| ENG APPR  |         |          |   |           |              |
| MGR APPR  |         |          | TITLE<br>A562 3926  |           |              |
| UNLESS OTHERWISE SPECIFIED<br>DIMENSIONS ARE IN MILLIMETERS<br>ANGLES ±X.X°<br>2 PL ±X.XX 3 PL ±X.XXX |         |          | SIZE<br>A4  | DWG NO    | REV          |
|   |         |          | FILE NAME: A562 3929.dft  |           |              |
|   |         |          | SCALE: 1:1  | WEIGHT: g | SHEET 1 OF 1 |