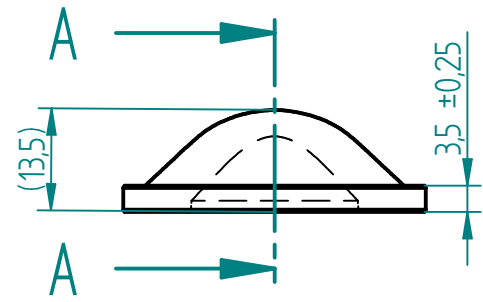
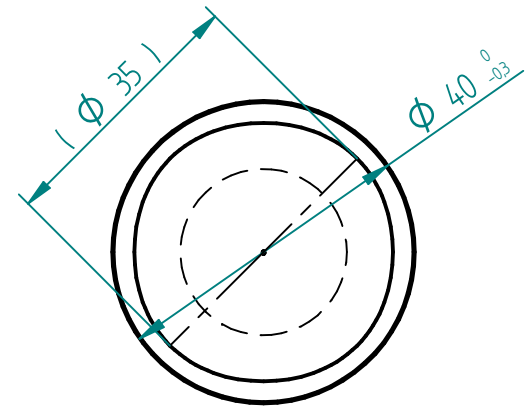
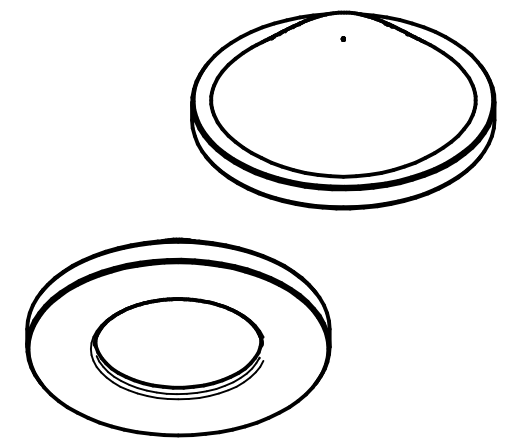
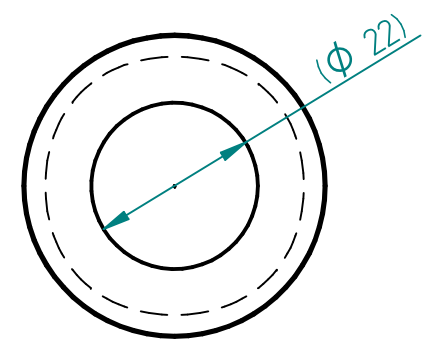
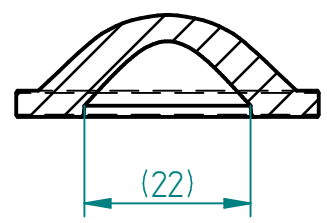


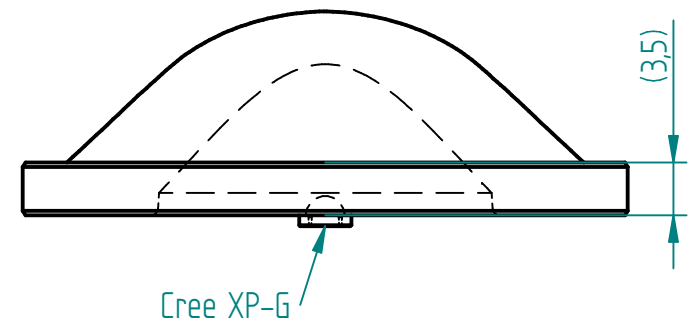
REVISION HISTORY			
REV	DESCRIPTION	DATE	APPROVED



SECTION A-A



Recommended LED position



Glass: LIBA or alternative (nd = 1,521)

	NAME	DATE	 EcoGlass, a.s.
DRAWN	krutsky	05/15/20	
CHECKED			
ENG APPR			
MGR APPR			
			TITLE
			A508 4018
			SIZE
			A4
			DWG NO
			REV
UNLESS OTHERWISE SPECIFIED DIMENSIONS ARE IN MILLIMETERS			FILE NAME: A508_smallLdft
SCALE:		WEIGHT:	18 g
		SHEET 1 OF 1	