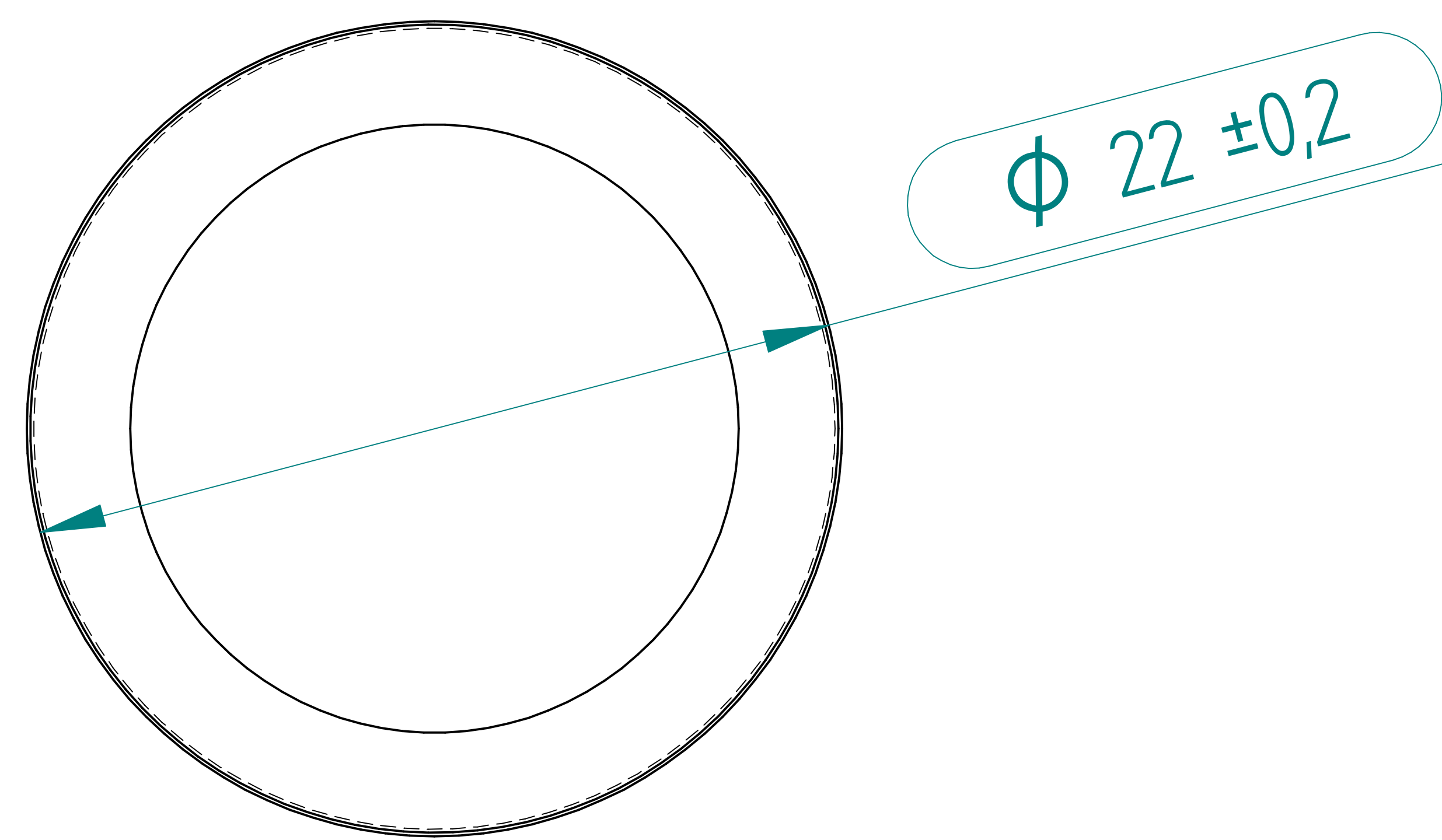
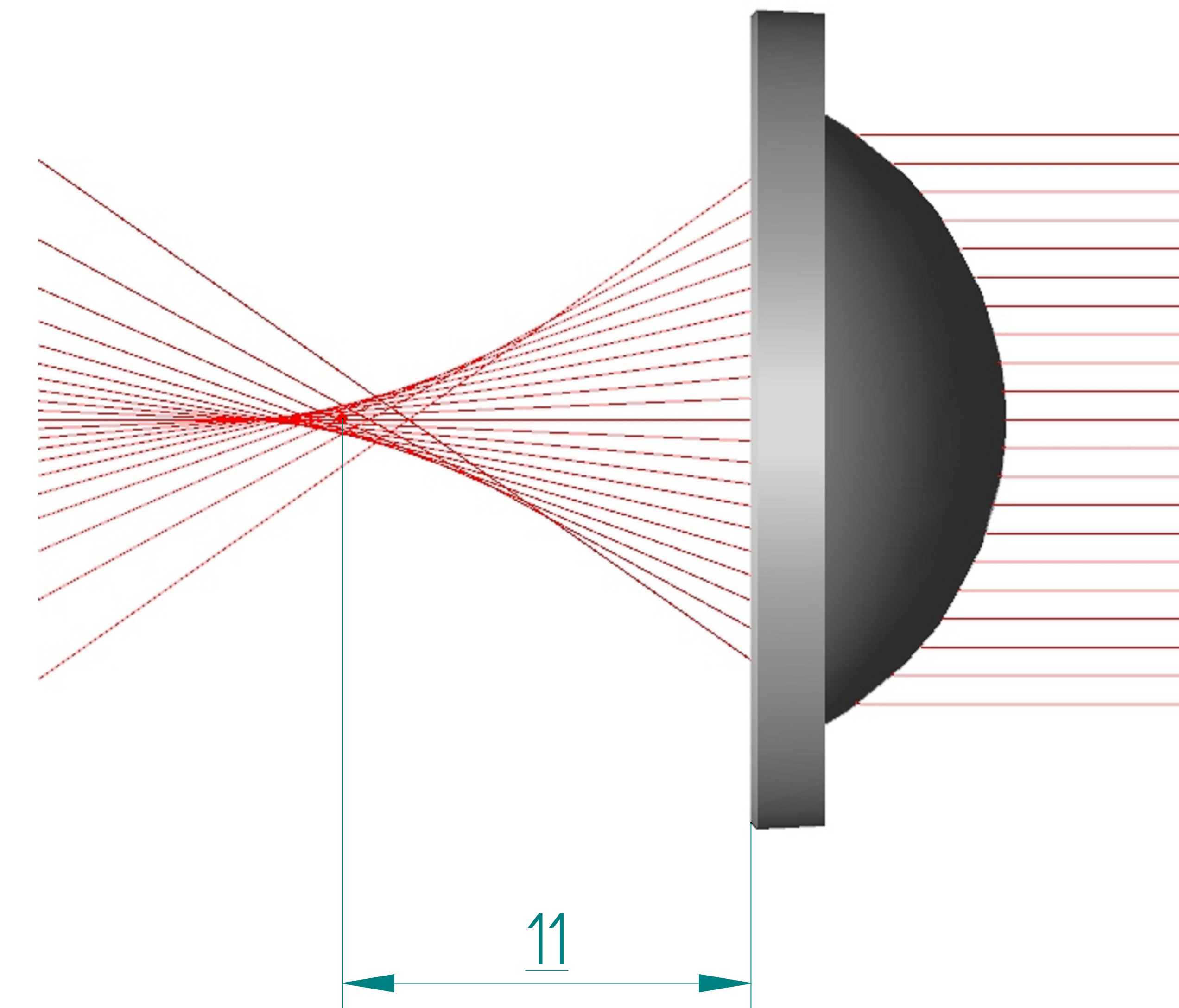
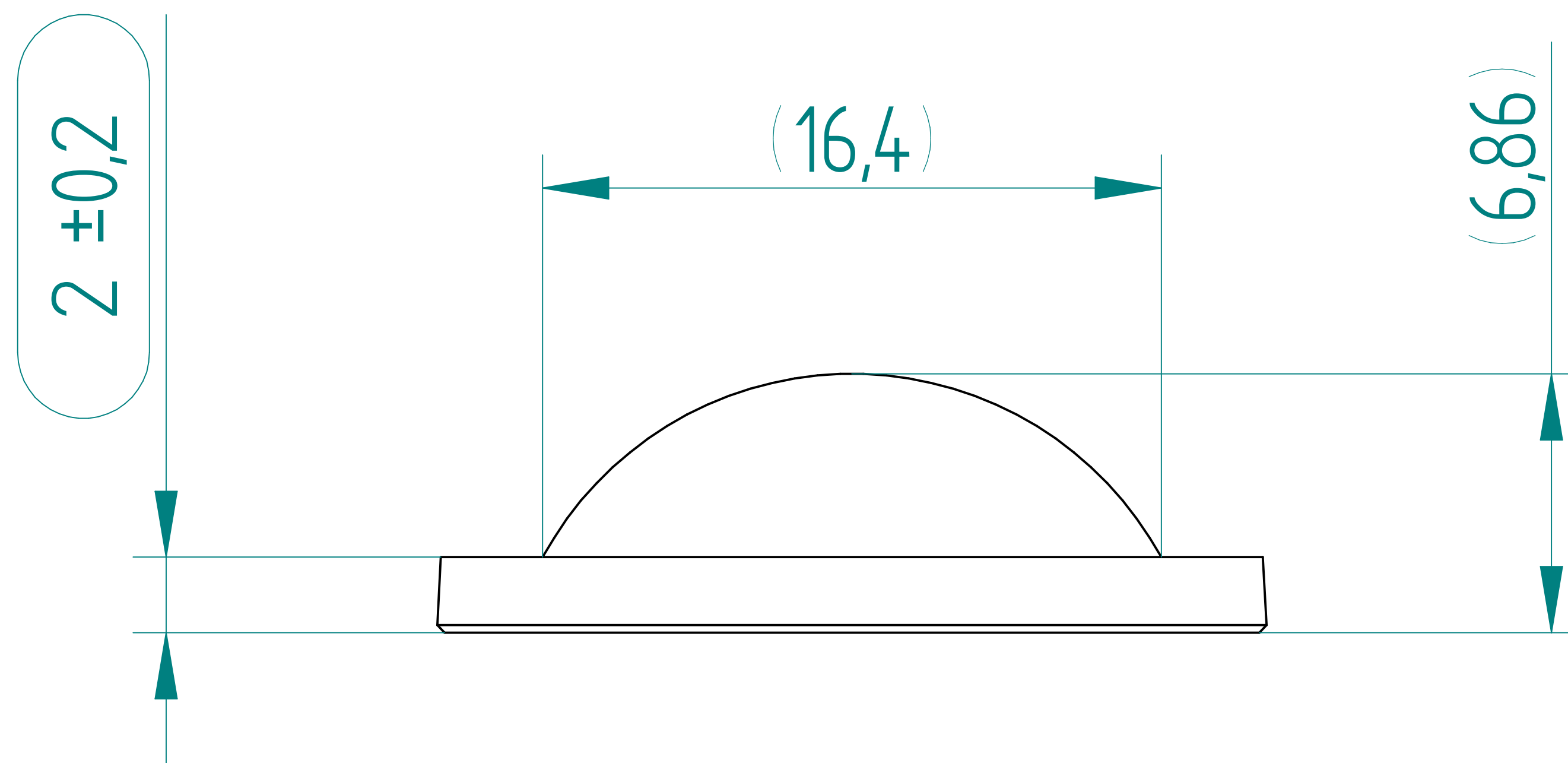



REVISION HISTORY

REV	DESCRIPTION	DATE	APPROVED



material : GLASS  $n_d = 1,520$

	NAME	DATE	 <b>EcoGlass, a.s.</b>	
DRAWN	jkocarek	09/14/23		
CHECKED				
ENG APPR				
MGR APPR				
UNLESS OTHERWISE SPECIFIED DIMENSIONS ARE IN MILLIMETERS ANGLES $\pm X.X^\circ$ 2 PL $\pm X.XX$ 3 PL $\pm X.XXX$			TITLE	Spherical lens
SIZE	DWG NO	REV	A501 2207	
A4	A501 2207		FILE NAME: A501 2207.dft	
SCALE:	WEIGHT:	SHEET 1 OF 1		