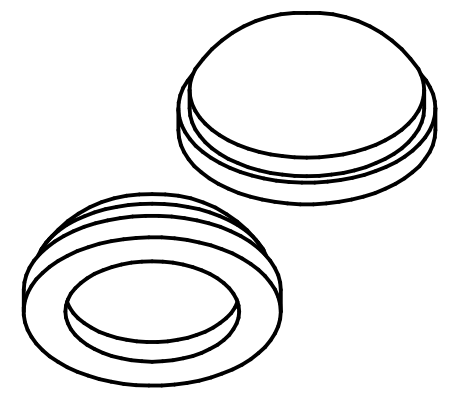
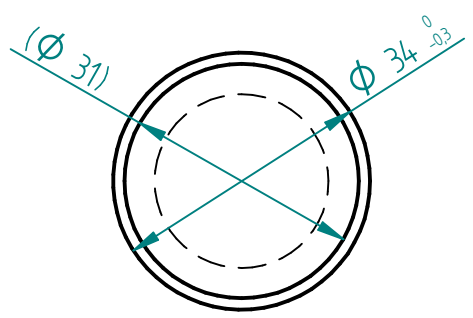
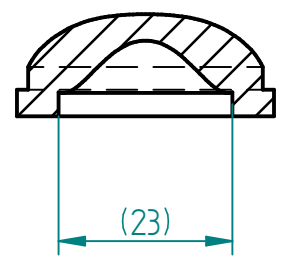
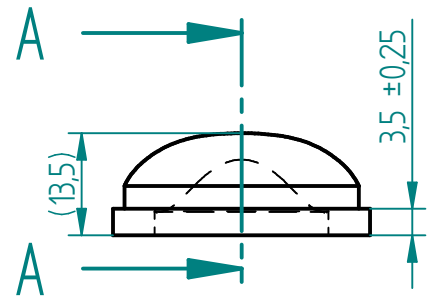


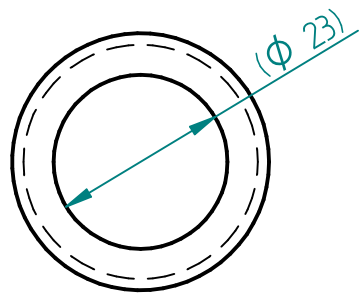
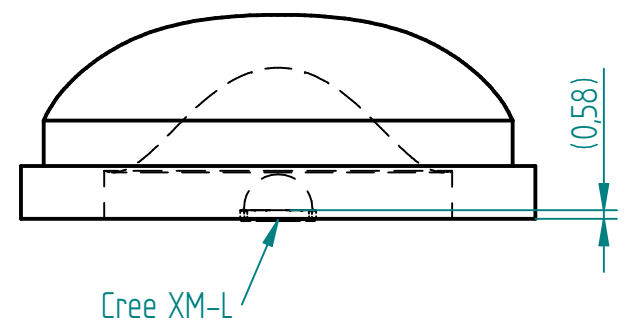
REVISION HISTORY			
REV	DESCRIPTION	DATE	APPROVED




SECTION A-A



Recommended LED position



Glass: LIBA or alternative (nd = 1,521)

NAME	DATE	 EcoGlass, a.s.	
DRAWN	04/29/20		
CHECKED			
ENG APPR			
MGR APPR		TITLE	
		A494 C120	
UNLESS OTHERWISE SPECIFIED DIMENSIONS ARE IN MILLIMETERS		SIZE	REV
		A4	
		FILE NAME: A494C120_EN_smallLdft	
SCALE:		WEIGHT:	SHEET 1 OF 1
		17 g	