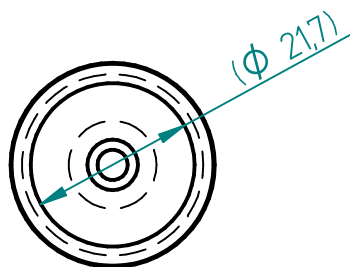
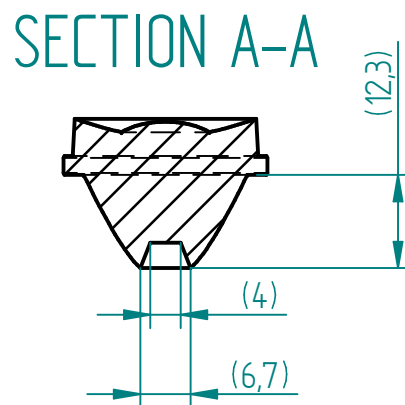
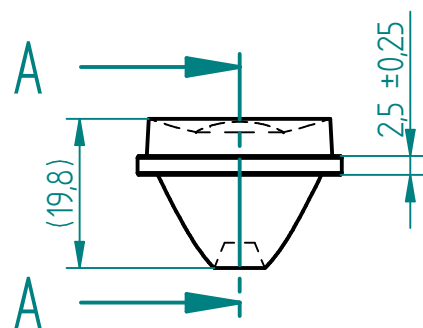
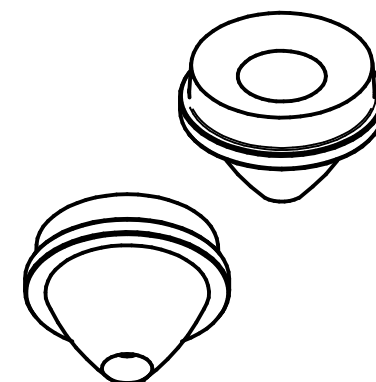
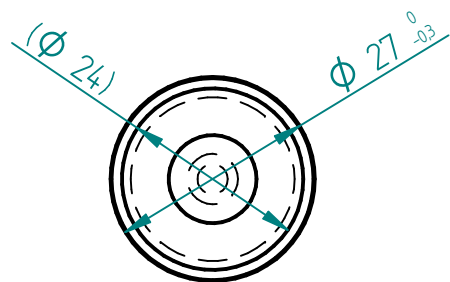
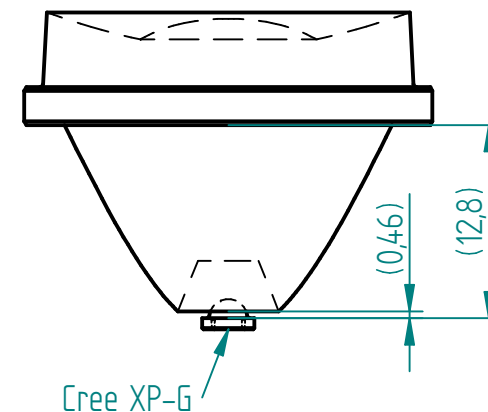



REVISION HISTORY			
REV	DESCRIPTION	DATE	APPROVED



Recommended LED position



Glass: LIBA or alternative (nd = 1,521)

NAME	DATE	 EcoGlass, a.s.
DRAWN	krutsky 04/29/20	
CHECKED		
ENG APPR		
MGR APPR		TITLE
		A493 C40
SIZE	DWG NO	REV
A4		
UNLESS OTHERWISE SPECIFIED DIMENSIONS ARE IN MILLIMETERS		
FILE NAME: A493_EN_smallLdf1		
SCALE:	WEIGHT:	SHEET 1 OF 1
	14 g	