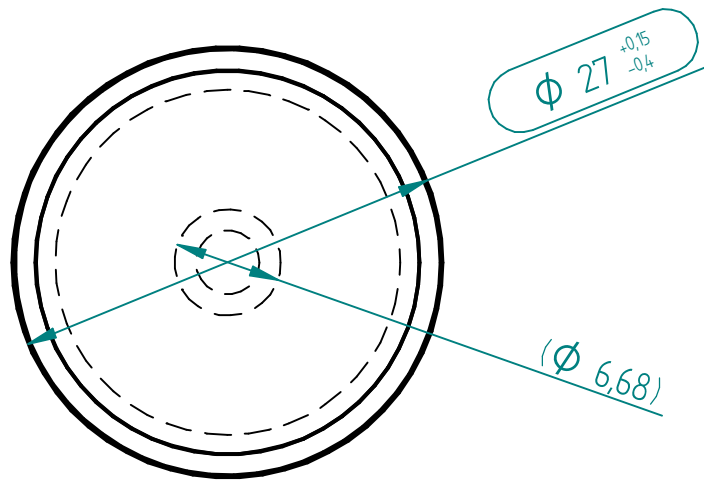
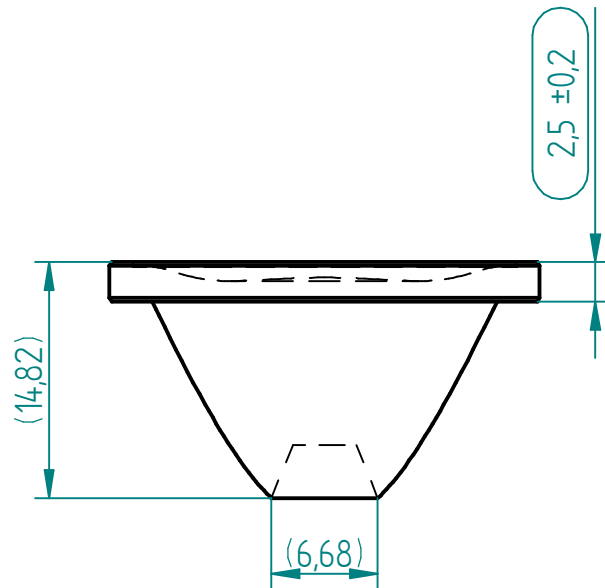



REVISION HISTORY

REV	DESCRIPTION	DATE	APPROVED



material : GLASS nd = 1,520

	NAME	DATE	 EcoGlass, a.s.			
DRAWN	jkocarek	09/17/23			TITLE TIR glass lens 40°	
CHECKED						
ENG APPR						
MGR APPR						
UNLESS OTHERWISE SPECIFIED DIMENSIONS ARE IN MILLIMETERS ANGLES ±X.X° 2 PL ±X.XX 3 PL ±X.XXX			SIZE A4	DWG NO A471 C40	REV	
			FILE NAME: A471 C40.dft			
			SCALE:	WEIGHT:	SHEET 1 OF 1	