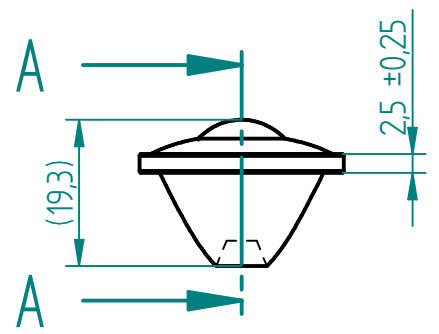
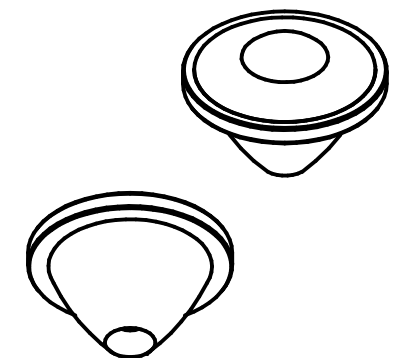
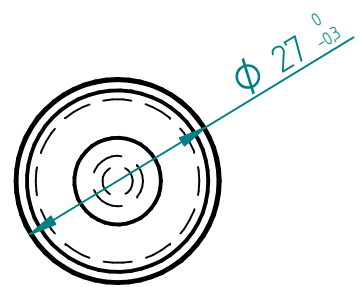
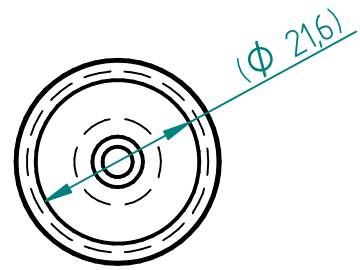
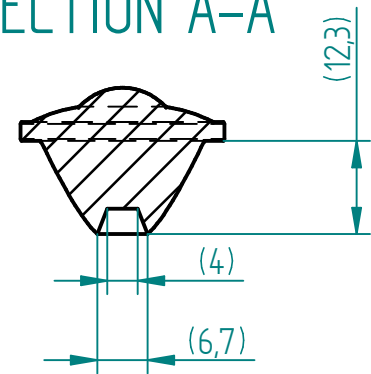


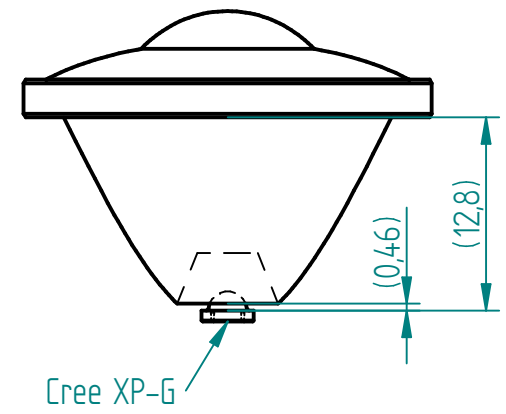
REVISION HISTORY			
REV	DESCRIPTION	DATE	APPROVED




SECTION A-A



Recommended LED position



Glass: LIBA or alternative (nd = 1,521)

NAME	DATE	 <b>EcoGlass, a.s.</b>		
DRAWN	krutsky 04/29/20			
CHECKED				
ENG APPR				
MGR APPR		TITLE		
		<b>A470 C10</b>		
UNLESS OTHERWISE SPECIFIED DIMENSIONS ARE IN MILLIMETERS		SIZE	DWG NO	REV
		A4		
		FILE NAME: A470C10_drawing_smallLdft		
		SCALE:	WEIGHT: 11 g	SHEET 1 OF 1