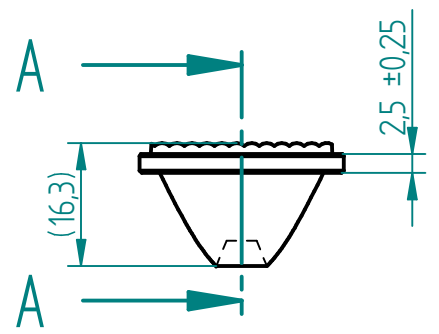
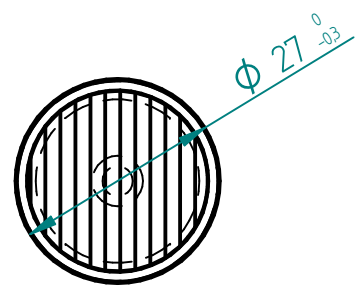
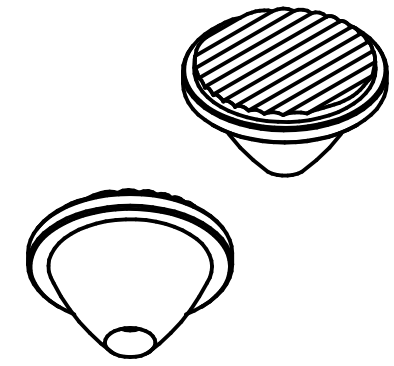
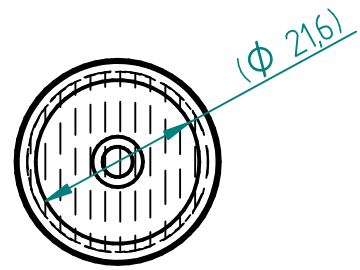
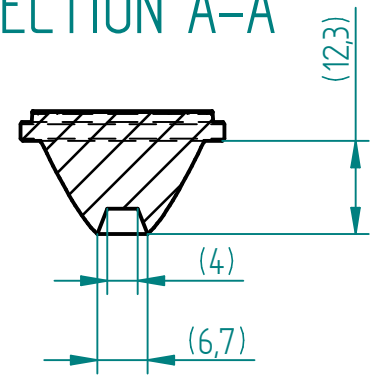


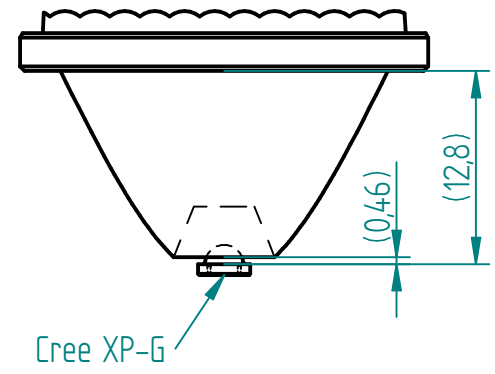
REVISION HISTORY			
REV	DESCRIPTION	DATE	APPROVED




SECTION A-A



Recommended LED position



Glass: LIBA or alternative (nd = 1,521)

NAME	DATE	 EcoGlass, a.s.		
DRAWN	krutsky 04/29/20			
CHECKED				
ENG APPR				
MGR APPR		TITLE		
		A469 CE		
UNLESS OTHERWISE SPECIFIED DIMENSIONS ARE IN MILLIMETERS		SIZE	DWG NO	REV
		A4		
		FILE NAME: A469CE_drawing_EN_smallLdf1		
		SCALE:	WEIGHT:	11 g SHEET 1 OF 1