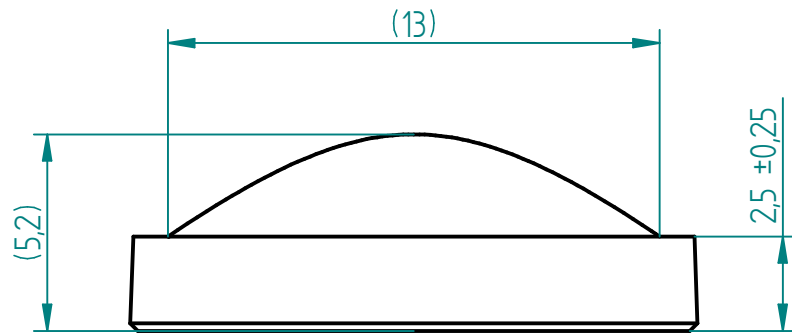
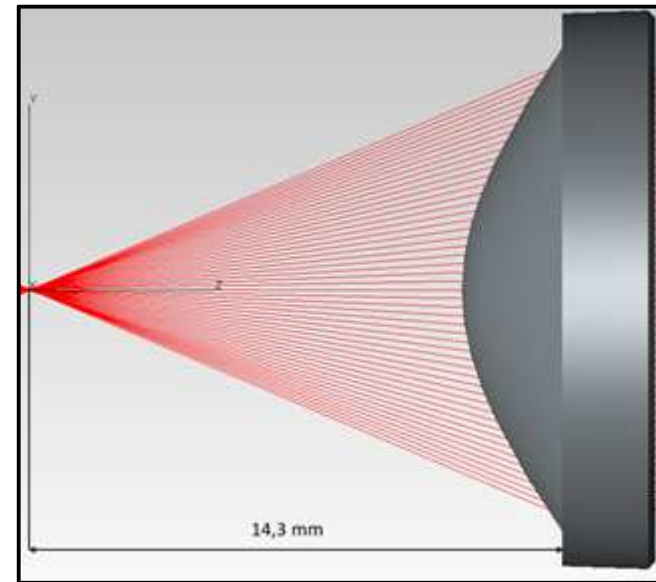
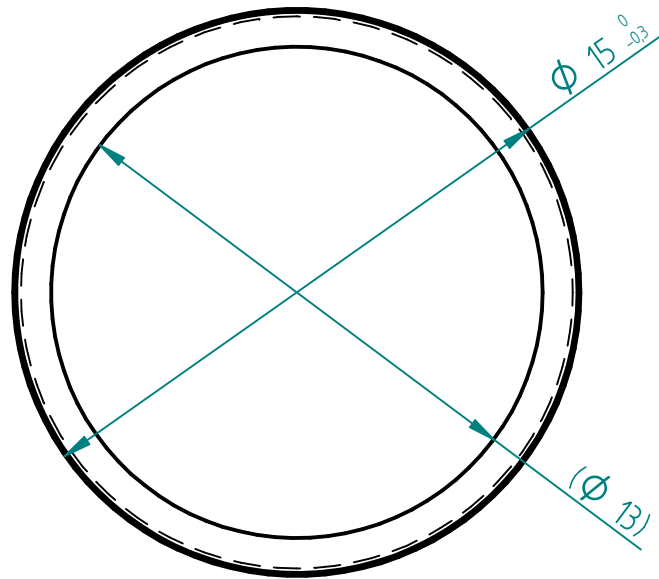
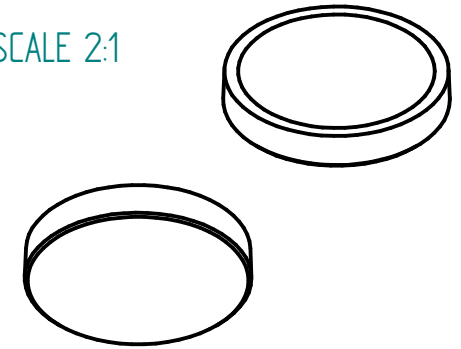


REVISION HISTORY			
REV	DESCRIPTION	DATE	APPROVED



SCALE 2:1



Glass: LIBA or alternative (nd = 1,521)

	NAME	DATE	 <b>EcoGlass, a.s.</b>
DRAWN	krutsky	05/14/20	
CHECKED			
ENG APPR			
MGR APPR			TITLE
			<b>A182 1506</b>
UNLESS OTHERWISE SPECIFIED DIMENSIONS ARE IN MILLIMETERS			SIZE A4
			DWG NO
			REV
			FILE NAME: A182_smallLdft
SCALE:		WEIGHT: 2 g	SHEET 1 OF 1