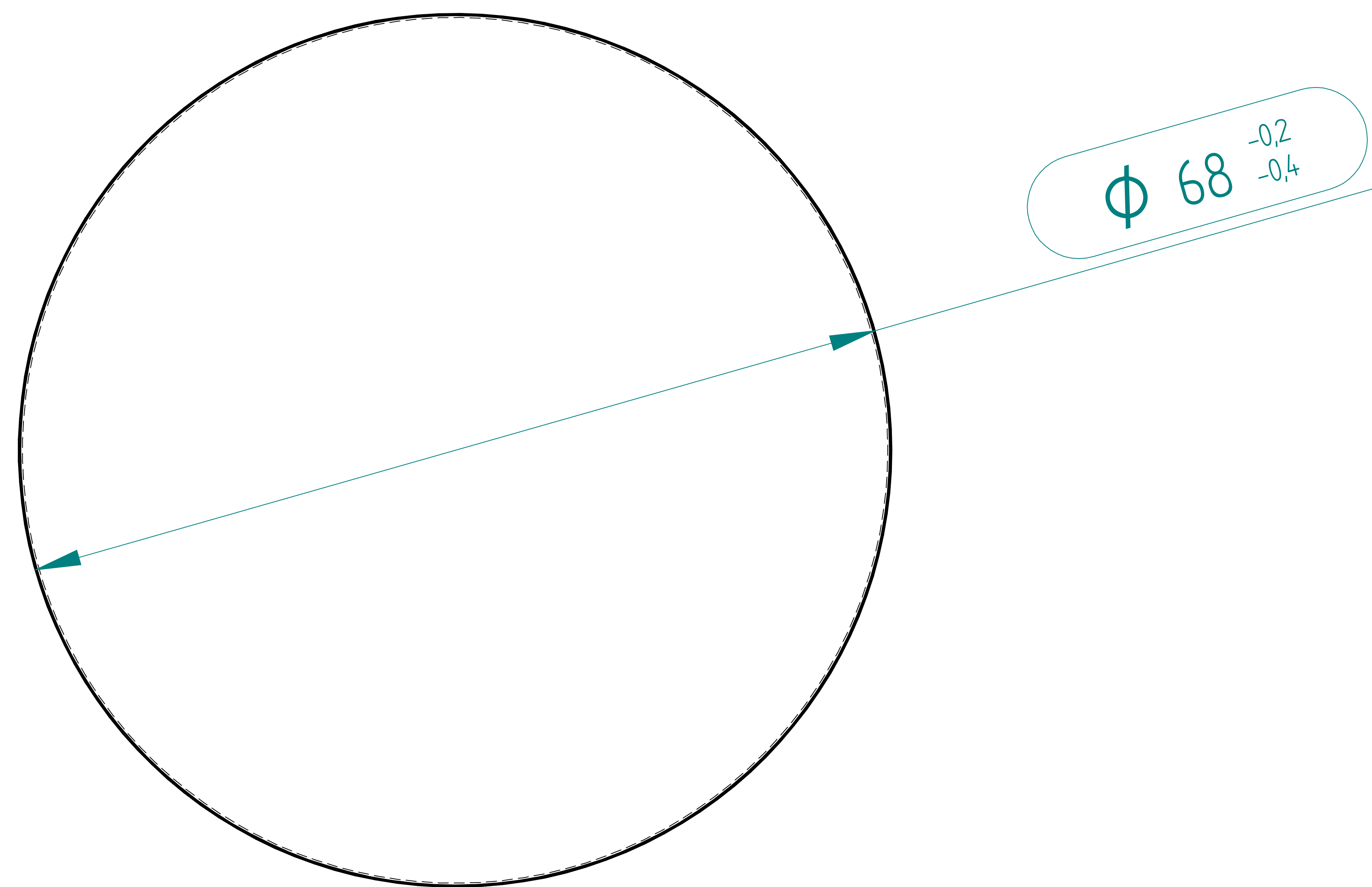
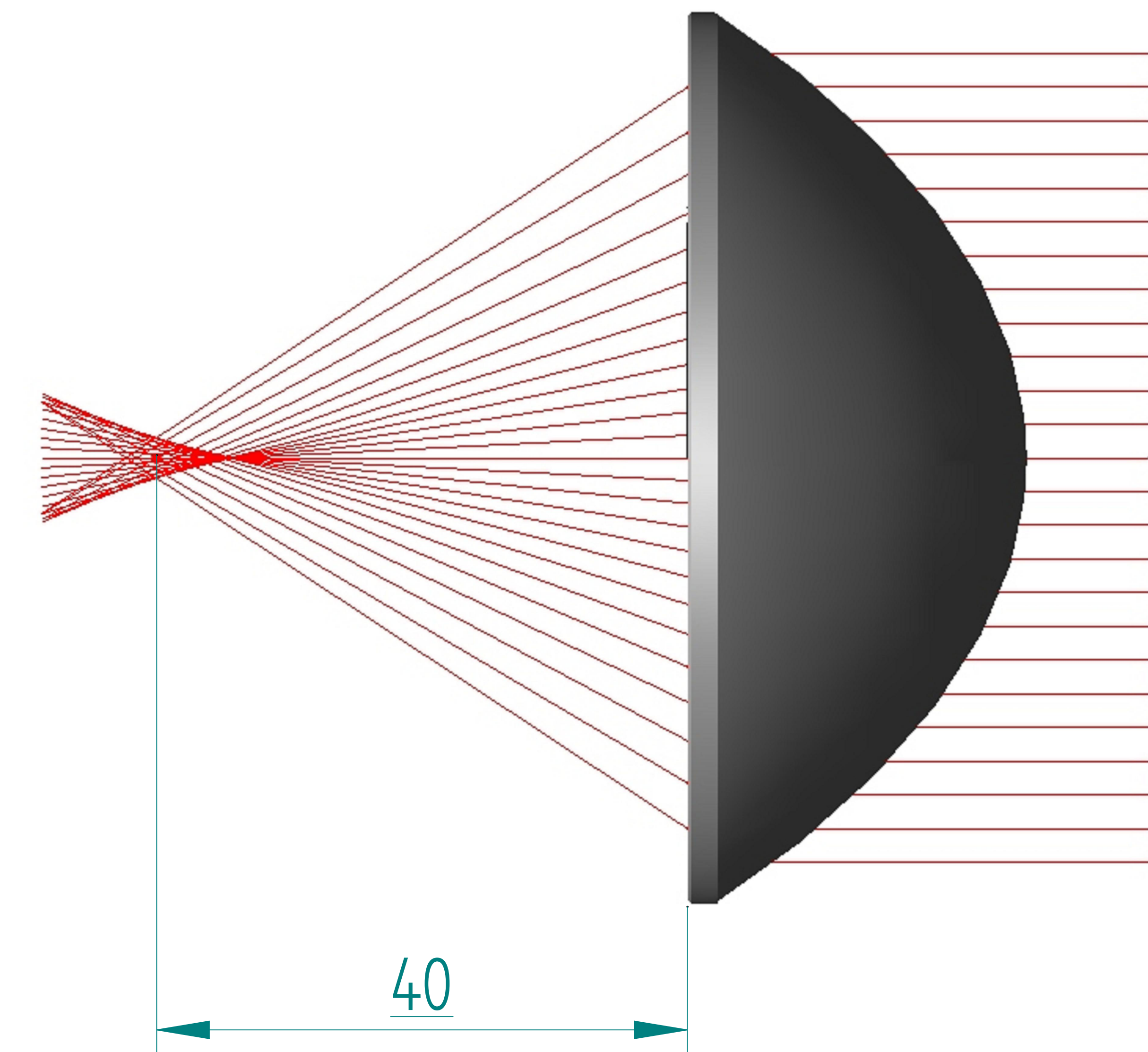
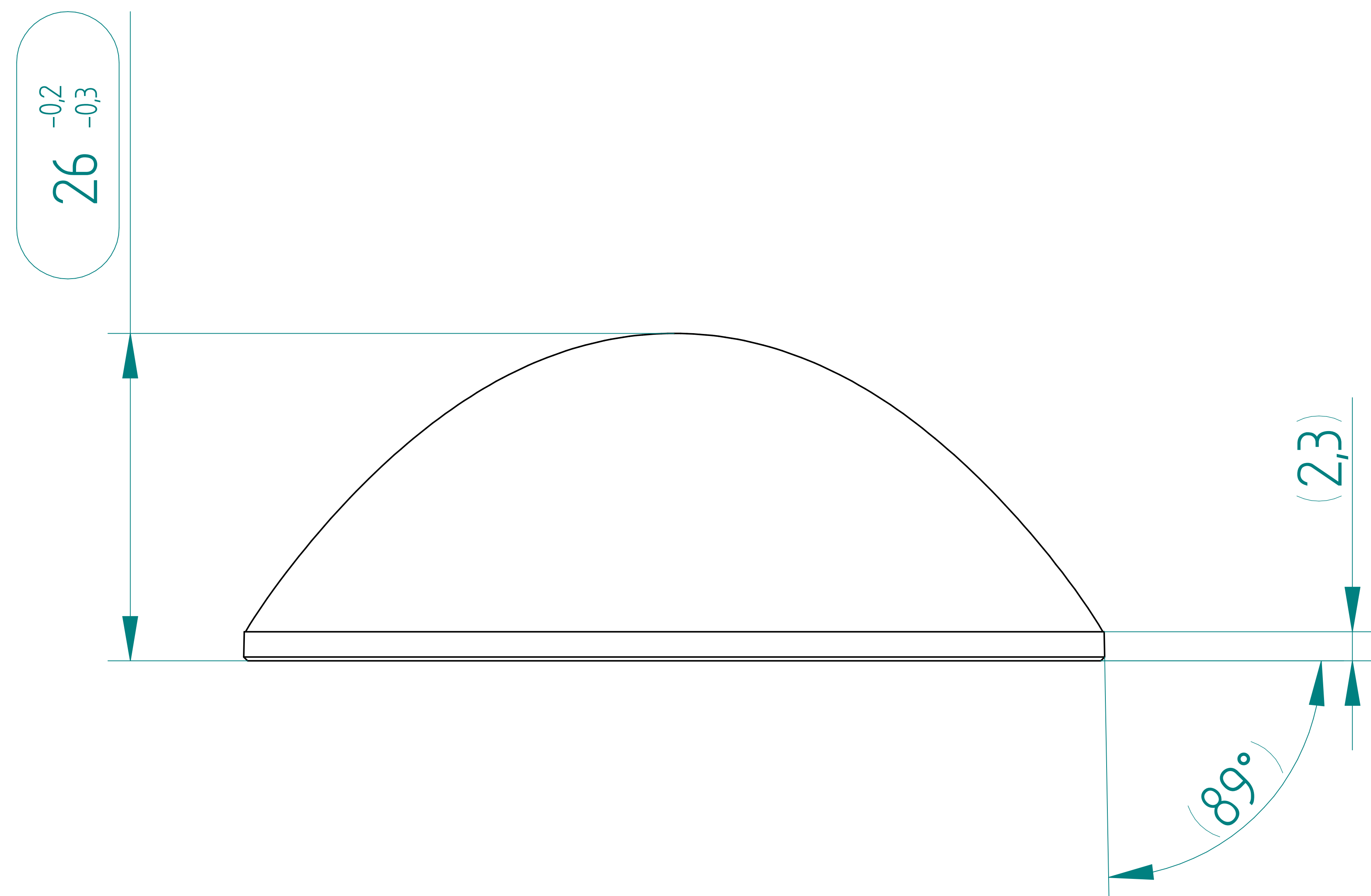



REVISION HISTORY

REV	DESCRIPTION	DATE	APPROVED



material : GLASS nd = 1,520

	NAME	DATE	 EcoGlass, a.s.		
DRAWN	jkocarek	09/14/23			
CHECKED			TITLE Aspheric lens		
ENG APPR					
MGR APPR					
UNLESS OTHERWISE SPECIFIED DIMENSIONS ARE IN MILLIMETERS ANGLES $\pm X.X^\circ$ 2 PL $\pm X.XX$ 3 PL $\pm X.XXX$			SIZE	DWG NO	REV
			A4	A163 6827	
			FILE NAME: A163 6827.dft		
SCALE:		WEIGHT:	SHEET 1 OF 1		