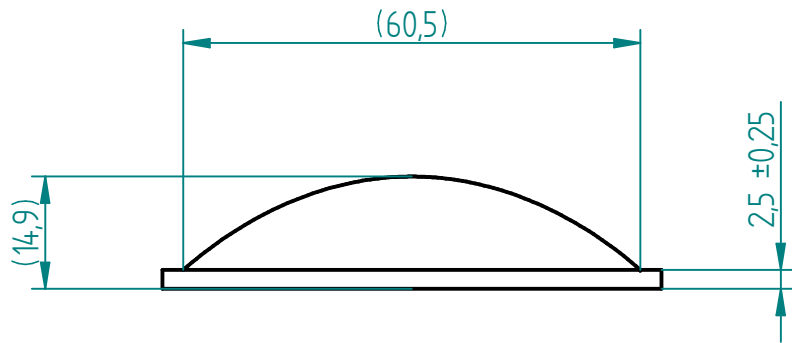
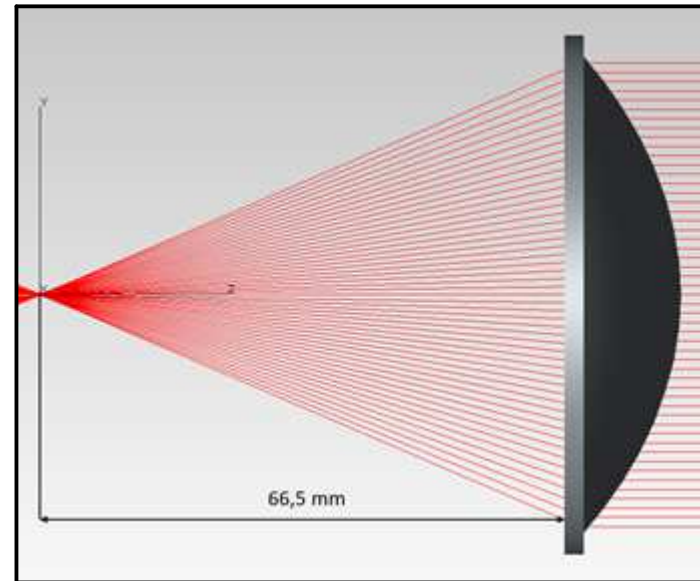
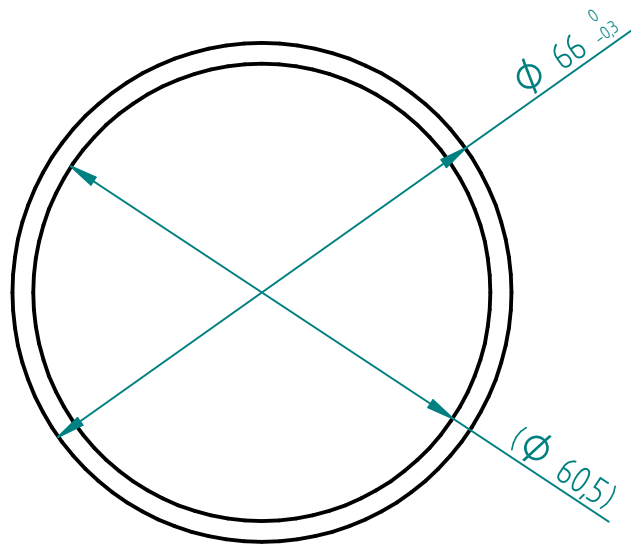
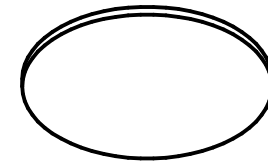
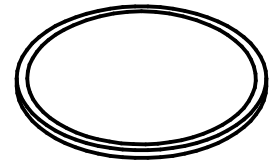



| REVISION HISTORY | | | |
|------------------|-------------|------|----------|
| REV | DESCRIPTION | DATE | APPROVED |
| | | | |



SCALE 1:2



Glass: LIBA or alternative (nd = 1,521)

| | | | |
|---|---------|--------------|---|
| | NAME | DATE |  EcoGlass, a.s. |
| DRAWN | krutsky | 05/14/20 | |
| CHECKED | | | |
| ENG APPR | | | |
| MGR APPR | | | |
| | | | TITLE |
| | | | A104 6616 |
| UNLESS OTHERWISE SPECIFIED DIMENSIONS ARE IN MILLIMETERS | | | SIZE A4 |
| | | | DWG NO |
| | | | REV |
| | | | FILE NAME: A104_smallLdft |
| SCALE: | | WEIGHT: 69 g | SHEET 1 OF 1 |