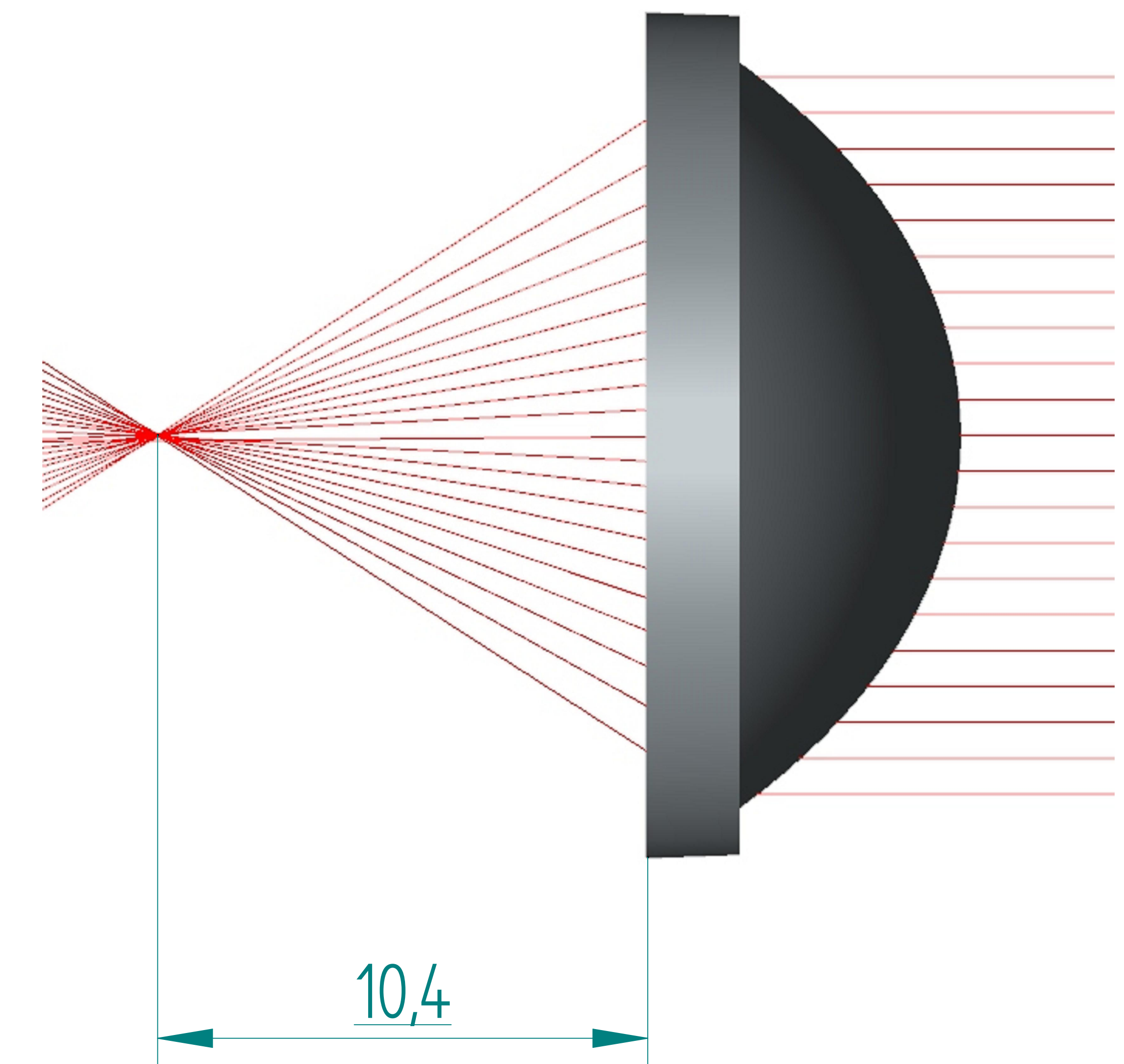
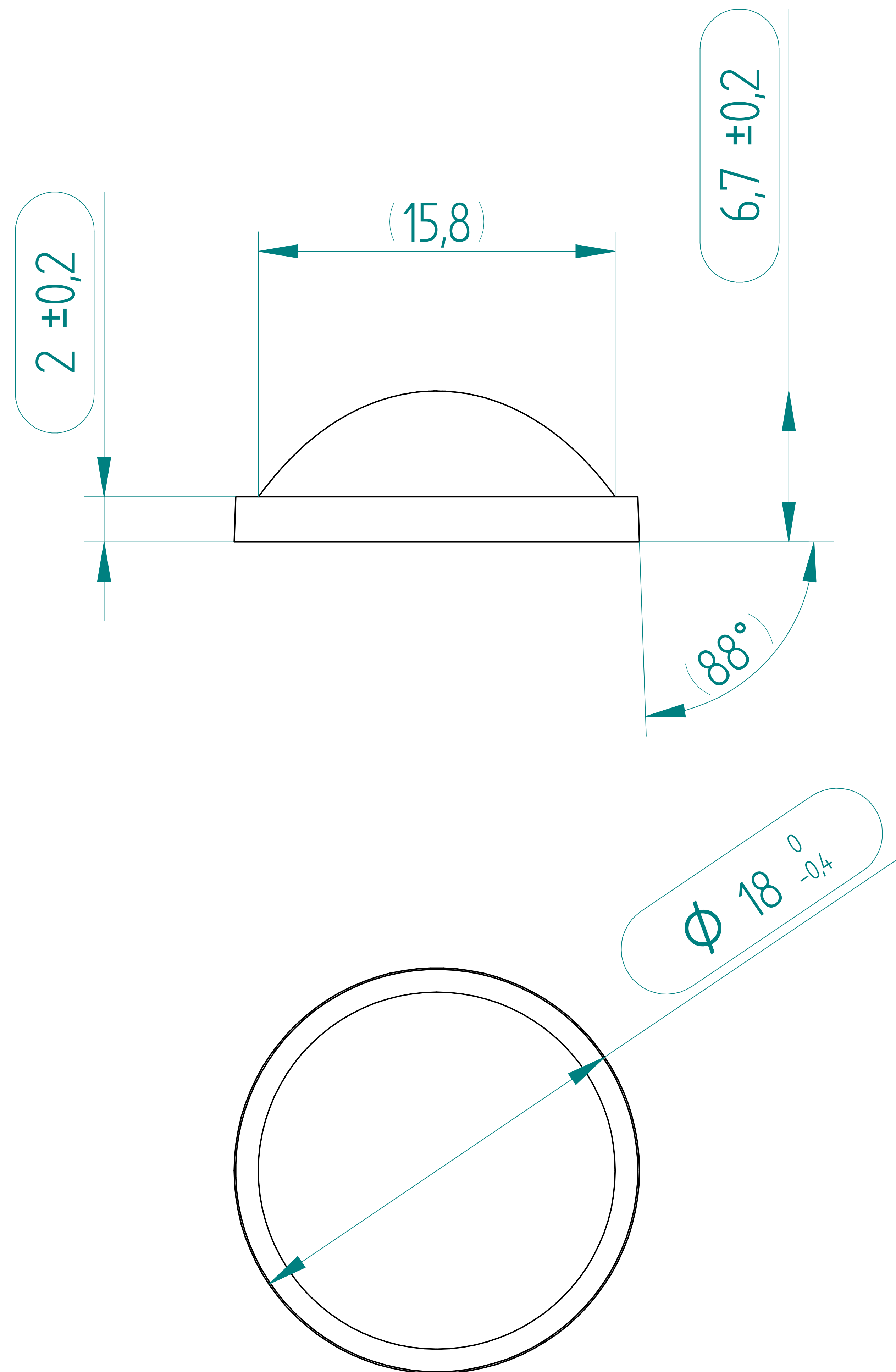



REVISION HISTORY

REV	DESCRIPTION	DATE	APPROVED



material : GLASS nd = 1,520

	NAME	DATE	 EcoGlass, a.s.	
DRAWN	jkocarek	09/14/23		
CHECKED				
ENG APPR				
MGR APPR				
UNLESS OTHERWISE SPECIFIED DIMENSIONS ARE IN MILLIMETERS ANGLES $\pm X.X^\circ$ 2 PL $\pm X.XX$ 3 PL $\pm X.XXX$			TITLE	Aspheric lens
SIZE	DWG NO	REV		
A4	A034 1807			
			FILE NAME: A034 1807.dft	
SCALE:		WEIGHT:	SHEET 1 OF 1	