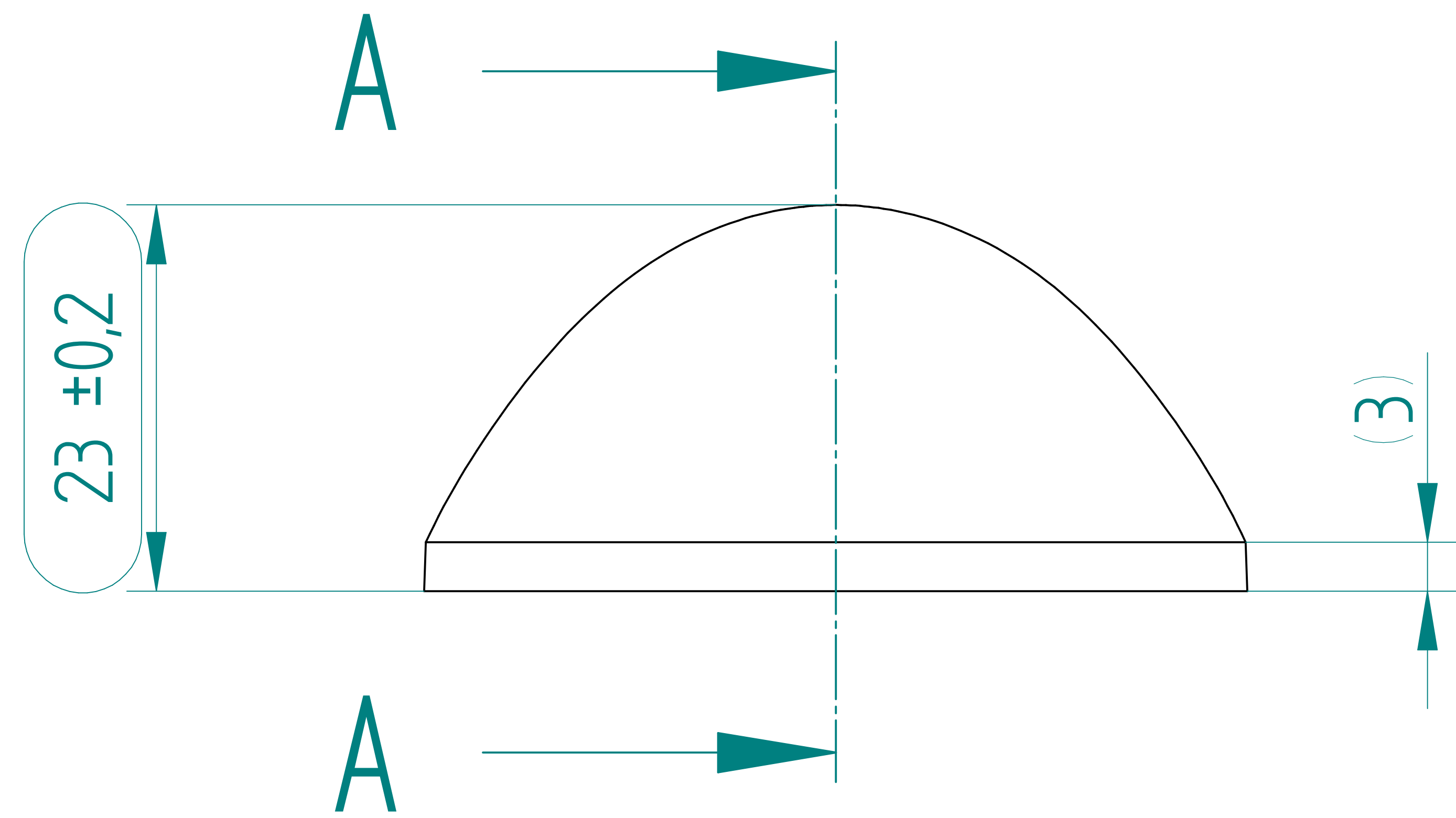
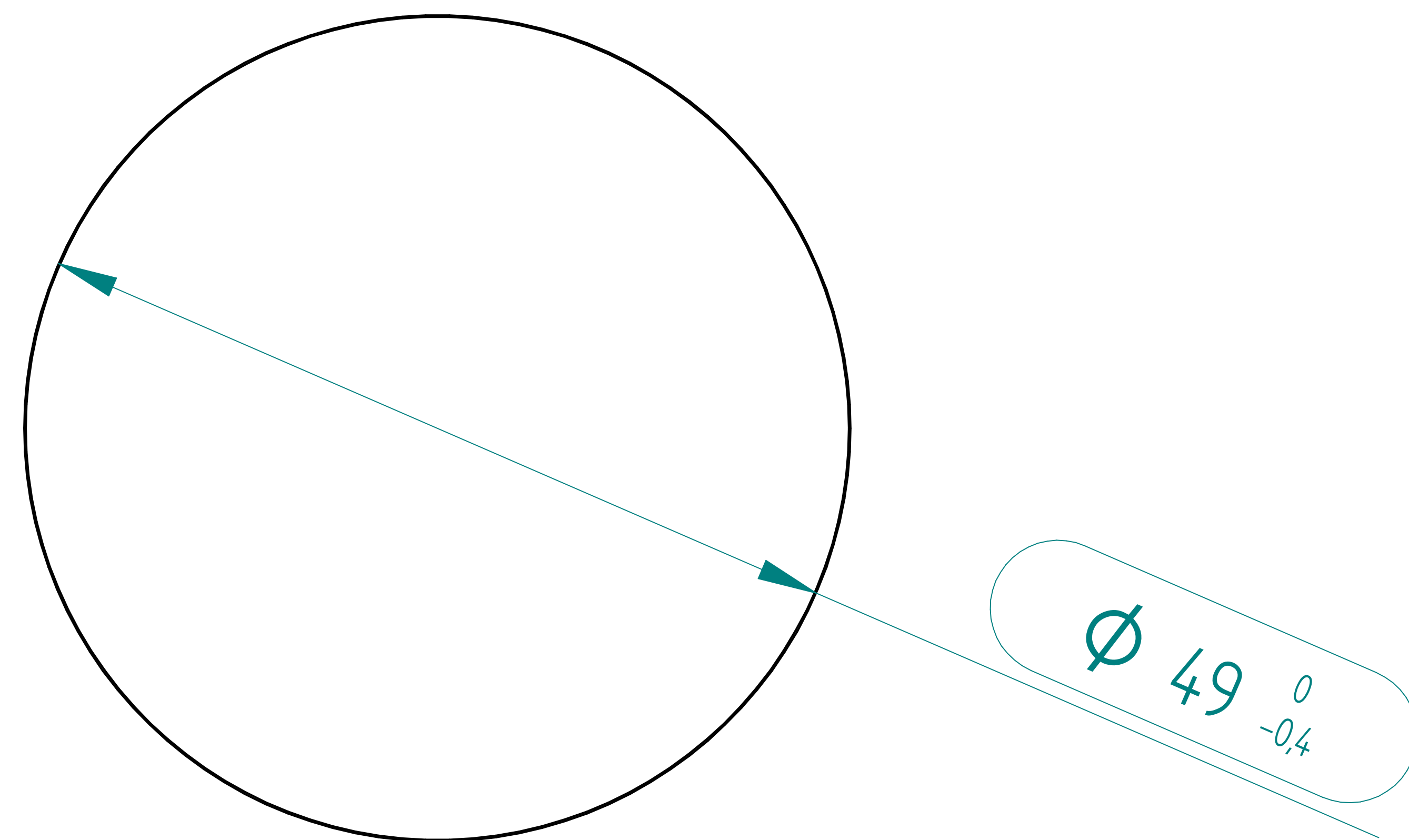
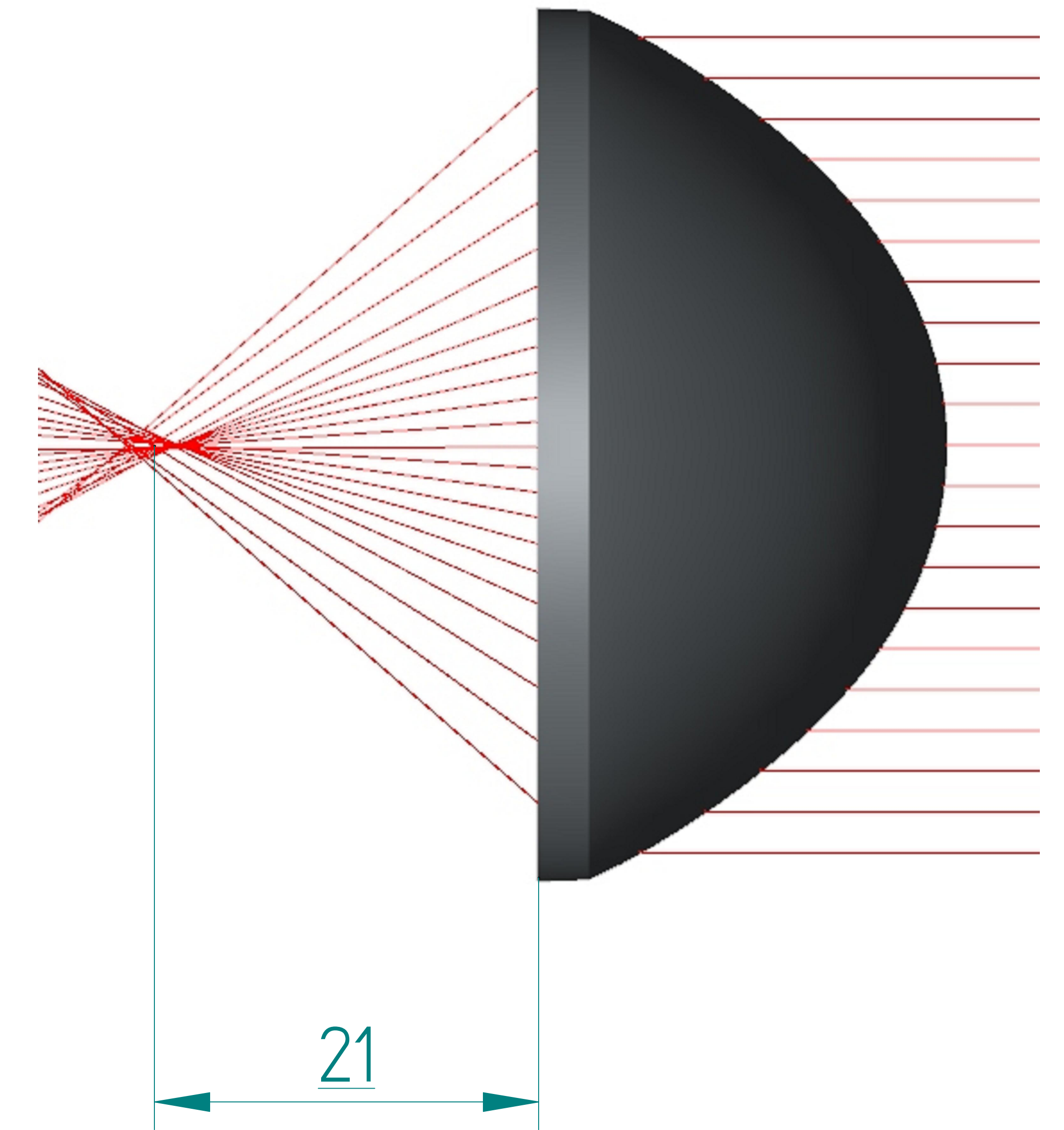
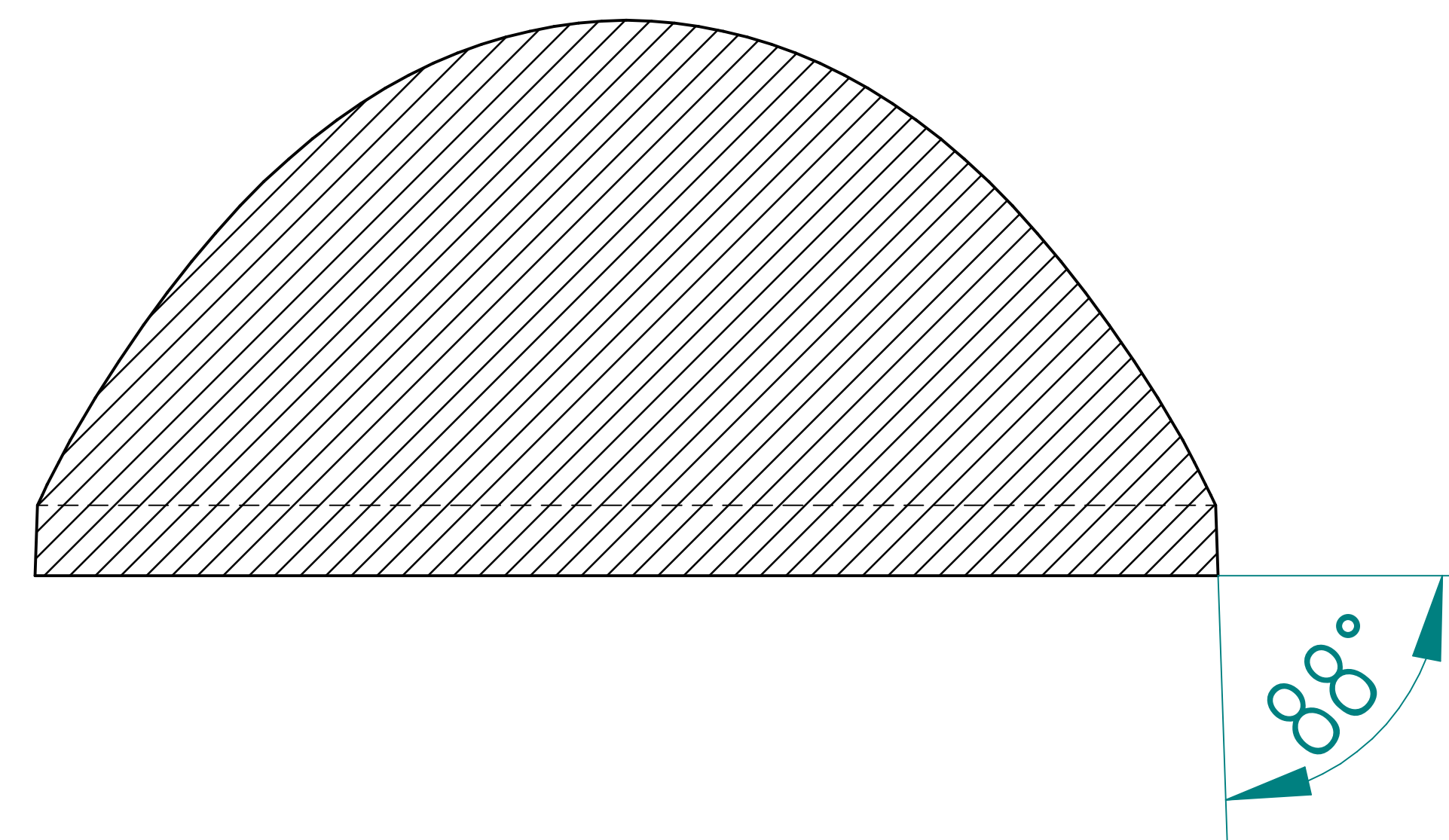


REVISION HISTORY


REV	DESCRIPTION	DATE	APPROVED



CUT A-A



material : GLASS nd=1,520

	NAME	DATE	 EcoGlass, a.s.		
DRAWN	jkocarek	09/14/23			
CHECKED			TITLE Aspheric lens		
ENG APPR					
MGR APPR					
UNLESS OTHERWISE SPECIFIED DIMENSIONS ARE IN MILLIMETERS ANGLES ±X.X° 2 PL ±X.XX 3 PL ±X.XXX			SIZE A4	DWG NO A016 4923	REV
			FILE NAME: A016 4923.dft		
			SCALE:	WEIGHT:	SHEET 1 OF 1