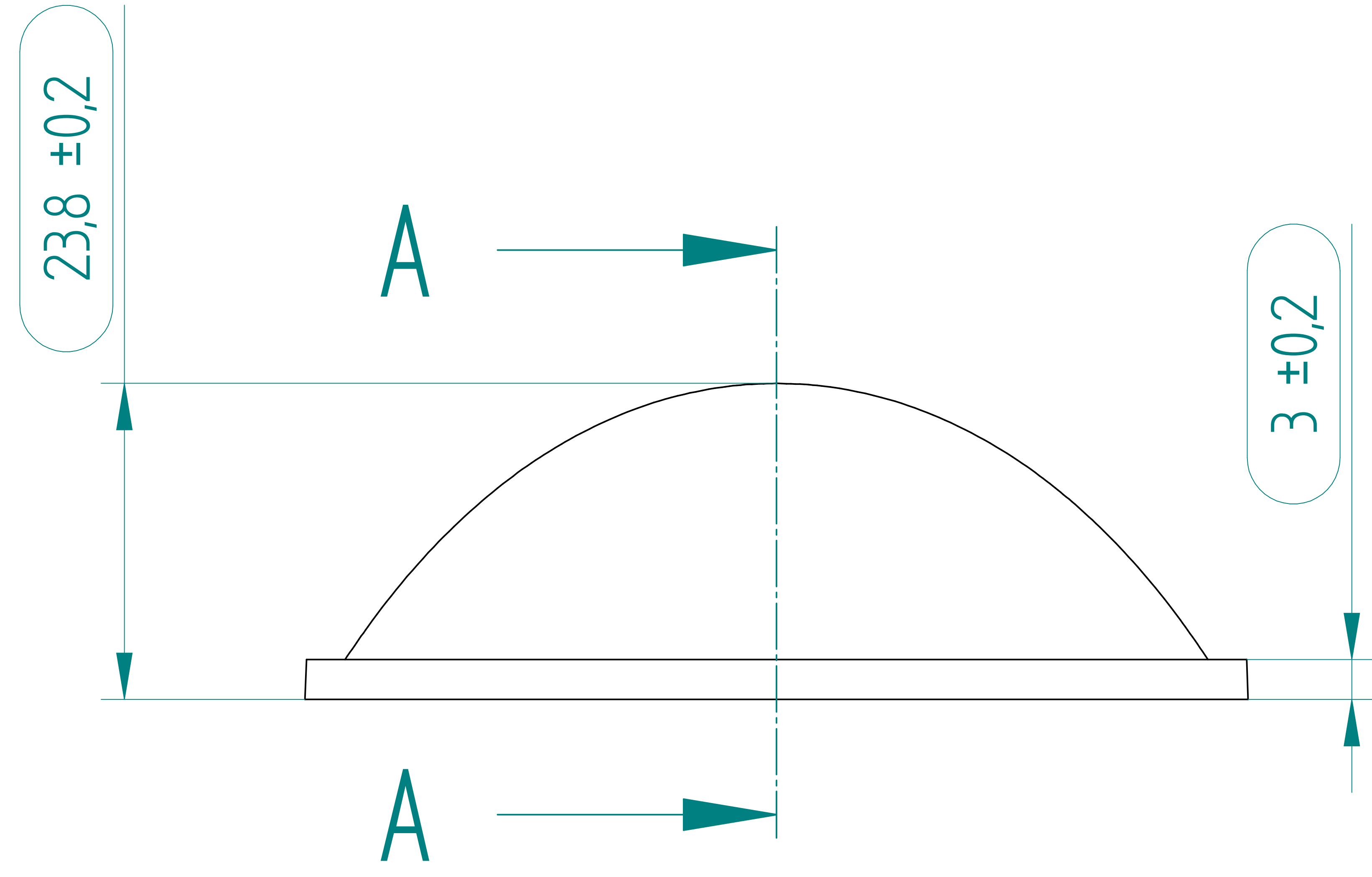
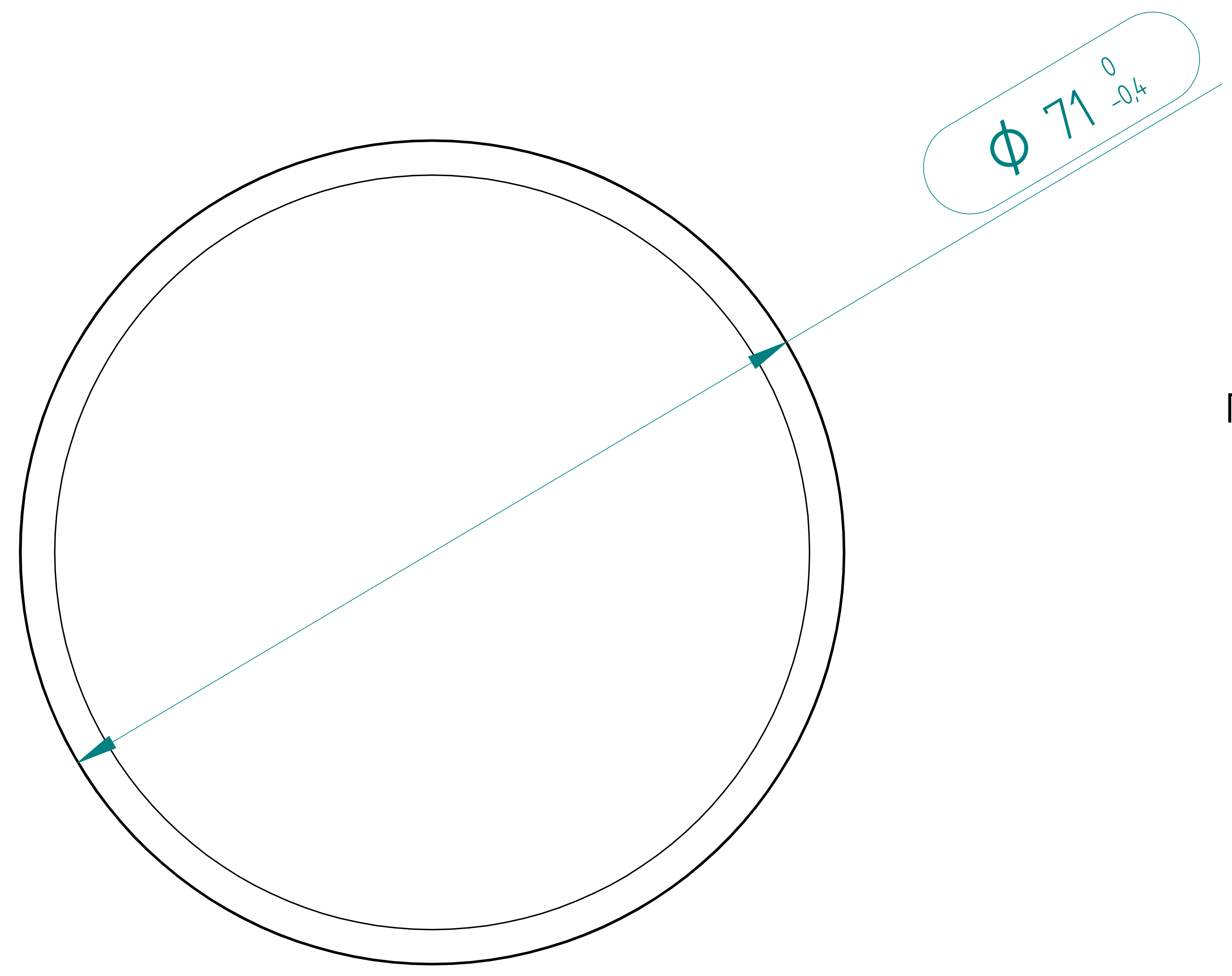
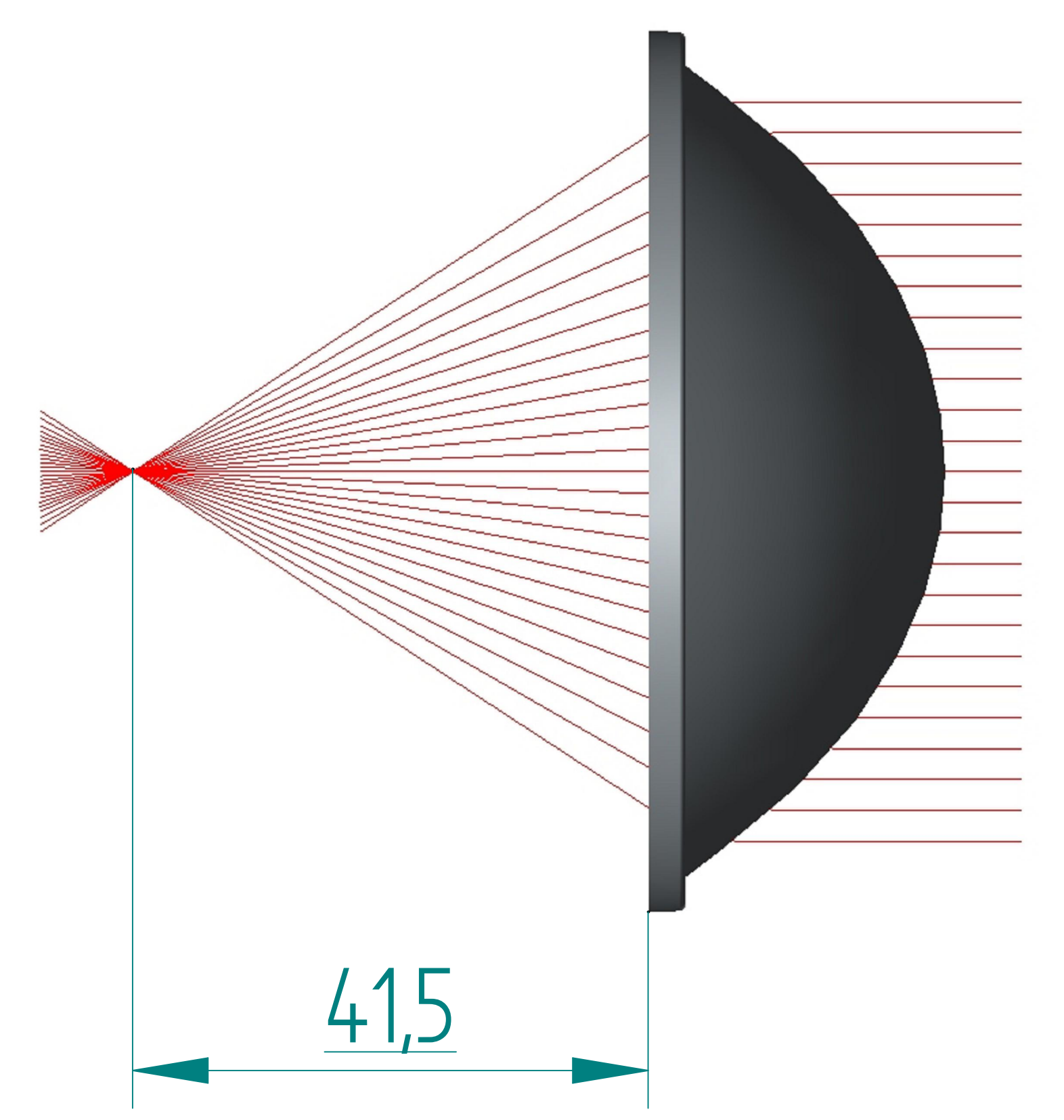
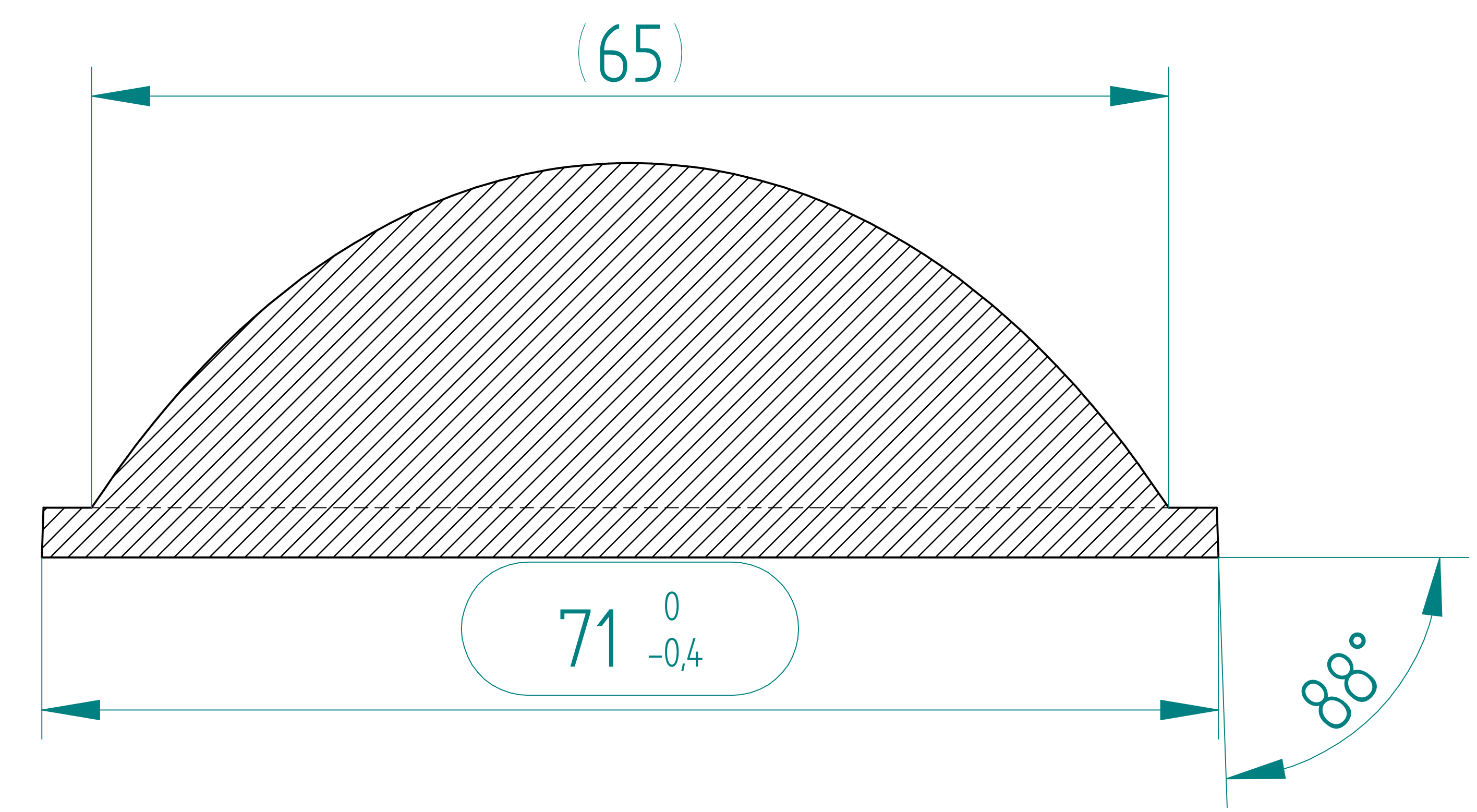


REVISION HISTORY


REV	DESCRIPTION	DATE	APPROVED



CUT A-A



material : GLASS nd=1,520

	NAME	DATE	 <b>EcoGlass, a.s.</b>		
DRAWN	jkocarek	09/13/23	TITLE		
CHECKED			ASPHERIC LENS		
ENG APPR					
MGR APPR					
UNLESS OTHERWISE SPECIFIED DIMENSIONS ARE IN MILLIMETERS ANGLES ±X.X° 2 PL ±X.XX 3 PL ±X.XXX			SIZE	DWG NO	REV
			A4	A003 7124	
			FILE NAME: A003 7124 podle Melicha.dft		
SCALE:		WEIGHT:	SHEET 1 OF 1		