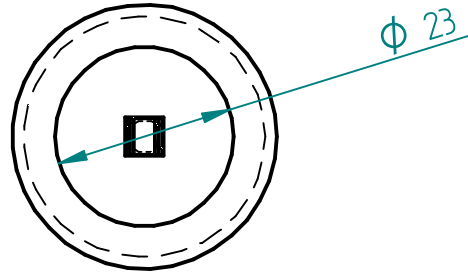
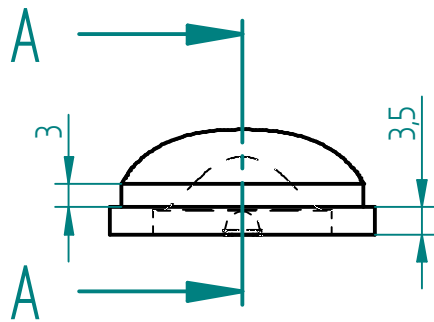
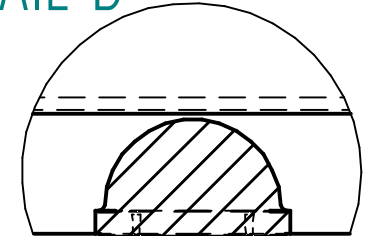


REVISION HISTORY

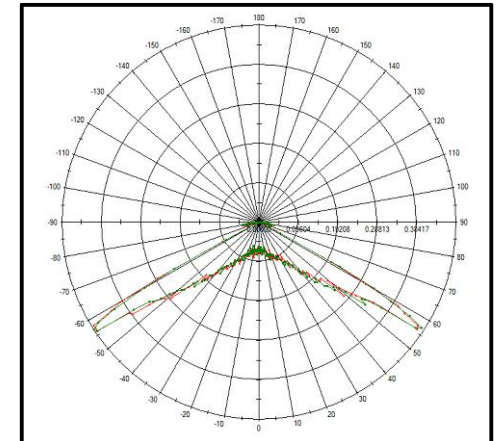
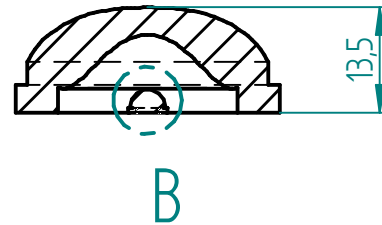
REV	DESCRIPTION	DATE	APPROVED



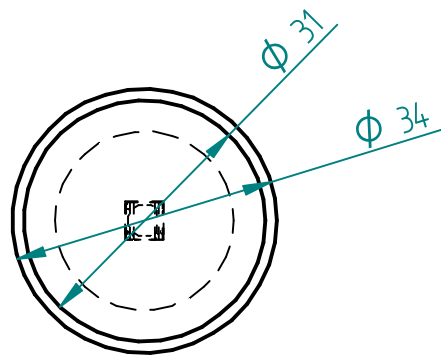
DETAIL B




ŘEZ A-A



LED Cree XM-L



	NAME	DATE	 EcoGlass, a.s.
DRAWN	jkocarek	02/28/11	
CHECKED			TITLE Lens for, Cree XM-L 120
ENG APPR			
MGR APPR			SIZE A4 DWG NO A494C120 REV 01
UNLESS OTHERWISE SPECIFIED DIMENSIONS ARE IN MILLIMETERS ANGLES $\pm X.X^\circ$ 2 PL $\pm X.XX$ 3 PL $\pm X.XXX$			FILE NAME: A494C120.dft
			SCALE: WEIGHT: SHEET 1 OF 1